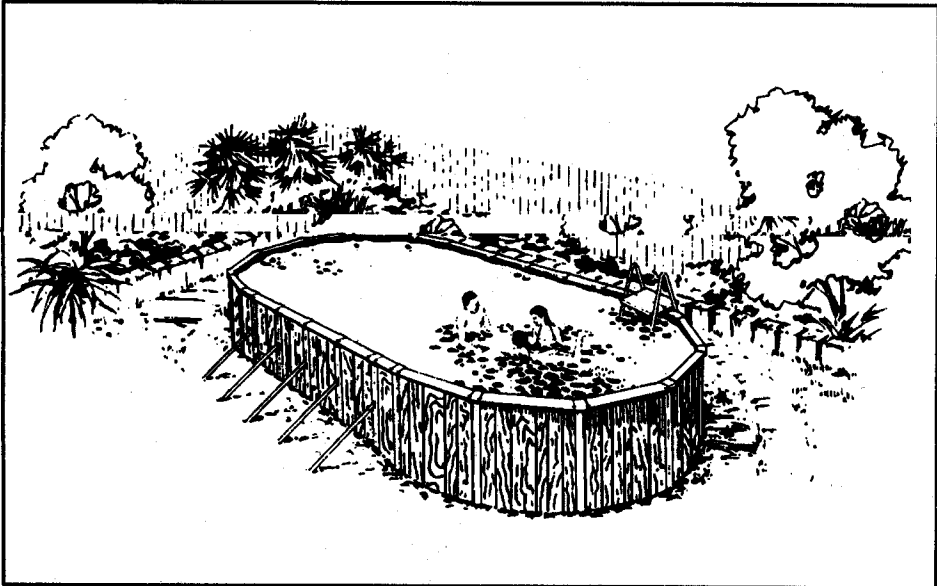


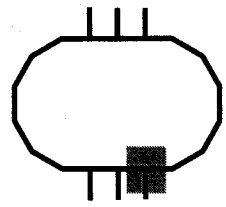
Lomart

Breezy Point / Cedar Hill — 6" Series

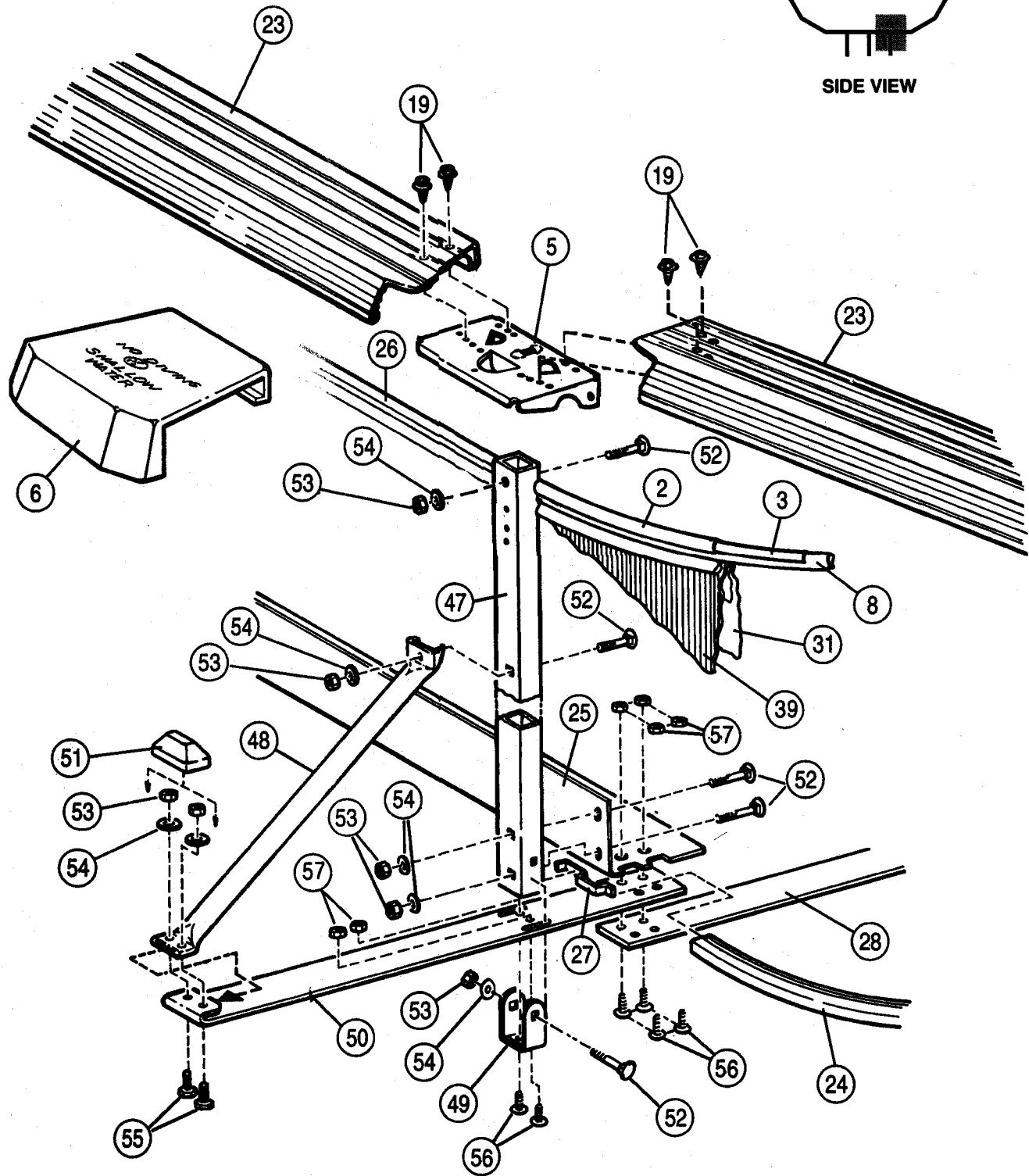
Oval Pools

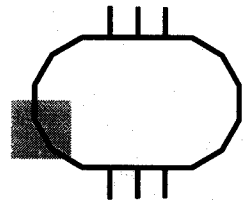
Parts List



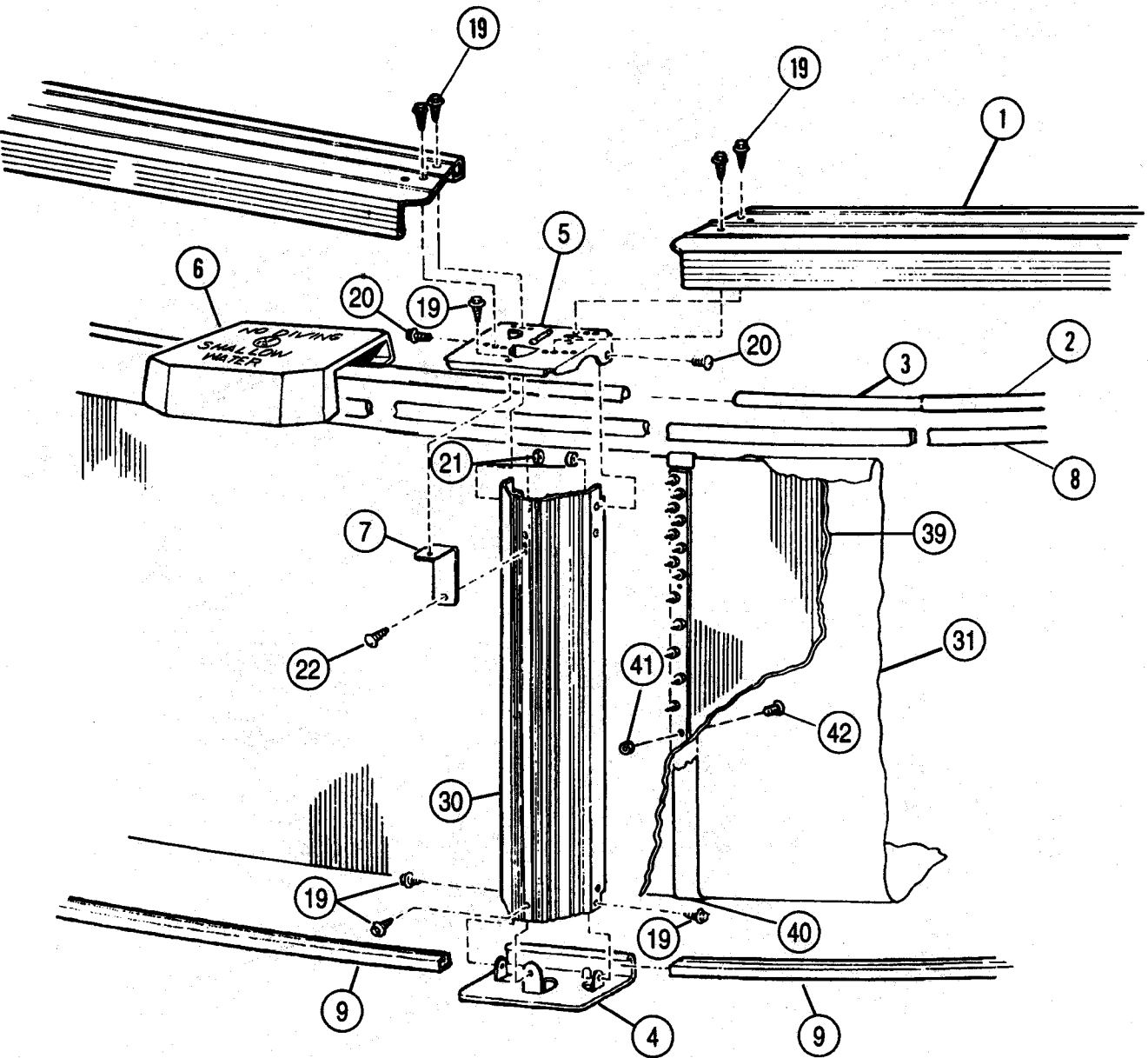


SIDE VIEW





END VIEW



LOMART PARTS LIST (OVAL)

			12' x 24'	15' x 24'	15' x 30'	18' x 33'
ITEM	DESCRIPTION	PART NO.	QTY.	QTY.	QTY.	QTY.
	STEEL PACK "A" CARTON	1-1224-901-504	1	—	—	—
	STEEL PACK "A" CARTON	1-1524-901-504	—	1	—	—
	STEEL PACK "A" CARTON	1-1530-901-504	—	—	1	—
	STEEL PACK "A" CARTON	1-1833-901-504	—	—	—	1
1.	Top Rail	587-1102	8	10	10	12
2.	Stabilizer Rail (Large)	583-1011	8	9	9	11
3.	Stabilizer Rail (Small)	583-1012	8	9	9	11
4.	Bottom Connector	580-1343	10	12	12	14
5.	Vertical Top Cap	580-1907	18	18	22	24
6.	Top Connector	340-2170	18	18	22	24
7.	Vertical Tab	580-1460	10	12	12	14
8.	Coping	545-1001	33	35	41	46
9.	Bottom Rail	589-1133	8	—	—	—
	Bottom Rail	589-1134	—	10	10	—
	Bottom Rail	589-1136	—	—	—	12
10.	Assembly/Installation Instructions	573-2893	1	1	1	1
11.	Warranty Card	—	1	1	1	1
12.	Product Registration Card	565-1121	1	1	1	1
13.	Pool Parts List	573-2895	1	1	1	1
14.	Book - "Sensible Way. . ."	573-2743	1	1	1	1
15.	Book - "Safety First"	573-2778	1	1	1	1
16.	Brochure - "Children Aren't Waterproof"	573-2338	1	1	1	1
17.	Brochure - "Pool and Spa. . ."	573-2393	1	1	1	1
18.	Book - "Read Me First"	573-2777	1	1	1	1
19.	#10 x 3/8" Sheet Metal Screw	510-1000	112	120	136	152
20.	1/4-20 x 1/2" Mach. Screw	330-1072	20	24	24	28
21.	1/4-20 Kep Nut	432-1000	20	24	24	28
22.	#14 x 1/2" Screw	330-1075	10	12	12	14
23.	Buttress Top Rail	587-1103	10	8	12	12
24.	Apex Bottom Rail	589-1135	4	4	4	4
25.	Hold Down Plate	580-1939	6	4	8	8
26.	Stabilizer Rail Side	583-1045	6	4	8	8
27.	Bottom Rail Locator	580-1354	4	4	4	4
28.	Tension Strap - 12 Foot	580-1348	4	—	—	—
	Tension Strap - 15 Foot	580-1349	—	3	5	—
	Tension Strap - 18 Foot	580-1350	—	—	—	5
29.	Optional Instructions	369-1214	1	1	1	1
	VERTICAL PACK	1-1200-904-504	1	—	—	—
	VERTICAL PACK	1-1500-904-504	—	1	1	—
	VERTICAL PACK	1-1800-904-504	—	—	—	1
30.	Vertical	580-1951	10	12	12	14
**31.	VINYL LINER CARTON					
	Liner 12' x 24'	1-1224-___	1	—	—	—
	Liner 15' x 24'	1-1524-___	—	1	—	—
	Liner 15' x 30'	1-1530-___	—	—	1	—
	Liner 18' x 33'	1-1833-___	—	—	—	1
32.	Chlorine/Winterizing Instructions	573-2421	1	1	1	1
33.	Warranty Card	—	1	1	1	1
*34.	Repair Patch - Vinyl	564-1000	1	1	1	1
35.	Warning Decal	560-1041	3	3	3	3
36.	Decal - Shallow-3 1/2 Ft.	560-1043	3	3	3	3
37.	Book - "Read Me First"	573-2777	1	1	1	1
***38.	Deep Area Decal	560-1042	3	3	3	3

* For Additional Patch Kits, order part number 1-2002-006.

**Write the number of your liner in the spaces provided here and above. # _____

***Supplied with Variable Depth Liners only.

LOMART PARTS LIST (OVAL) Continued

			12' x 24'	15' x 24'	15' x 30'	18' x 33'
ITEM	DESCRIPTION	PART NO.	QTY.	QTY.	QTY.	QTY.
	SIDEWALL CARTON					
39.	Breezy Point - (12' x 24' x 48")	1-1224-906-023	1	—	—	—
	Cedar Hill - (12' x 24' x 48")	1-1224-906-027	1	—	—	—
	Breezy Point - (15' x 24' x 48")	1-1524-906-023	—	1	—	—
	Cedar Hill - (15' x 24' x 48")	1-1524-906-027	—	1	—	—
	Breezy Point - (15' x 30' x 48")	1-1531-906-023	—	—	1	—
	Cedar Hill - (15' x 30' x 48")	1-1531-906-027	—	—	1	—
	Breezy Point - (18' x 33' x 48")	1-1833-906-023	—	—	—	1
	Cedar Hill - (18' x 33' x 48")	1-1833-906-027	—	—	—	1
40.	Wall Protective Strip	535-1442	1	1	1	1
41.	1/4" x 20 Hex Nut	511-1000	23	23	23	23
42.	1/4" - 20 x 1" Slotted Screw	330-1151	23	23	23	23
43.	Warning Sign	560-1055	1	1	1	1
44.	Book - "Read Me First"	573-2777	1	1	1	1
45.	Adhesive Squares	310-1034	6	6	6	6
46.	Safety Video	573-2507	1	1	1	1
	SUPPORT PACK - 4	1-9994-000	2	—	1	1
	SUPPORT PACK - 6	1-9996-000	—	1	1	1
47.	Buttress Vertical	580-1941	8	6	10	10
48.	Buttress Diagonal	580-1940	8	6	10	10
49.	Vertical Yoke	580-1352	8	6	10	10
50.	Outside Tension Strap	580-1351	8	6	10	10
51.	Diagonal Cap	340-1493	8	6	10	10
52.	5/16 - 18 x 2-3/4" Carriage Bolt	330-1110	40	30	50	50
53.	5/16 - 18 Hex Nut	321-1031	56	42	70	70
54.	5/16" Washer	326-1019	56	42	70	70
55.	5/16 - 18 x 1-1/4" Hex Head Bolt	330-1109	16	12	20	20
56.	1/4 - 20 x 1/2" Machine Screw	330-1072	48	36	60	60
57.	1/4-20 Hex Nut	511-1000	48	36	60	60
57A.	#10 x 3/8" Sheet Metal Screw	510-1000	8	6	10	10
****	DRAG PLATE KIT	1-9999-990	1	1	1	1
58.	Drag Plate	580-1428	4	4	4	4

**** Only supplied for pools with deep swimming area.