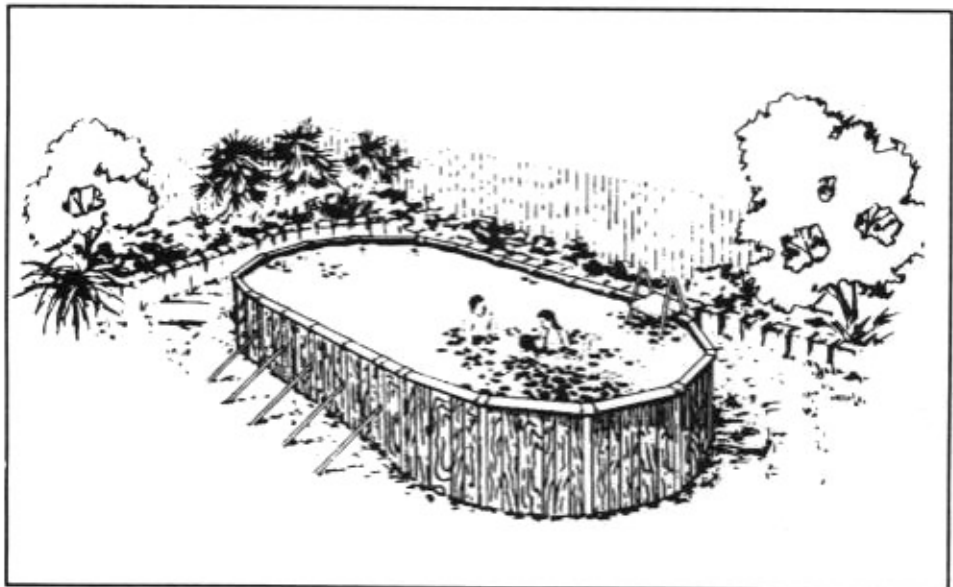


Lomart

High Sierra II — 500 Series

Oval Pools

Parts List



LOMART PARTS LIST (OVAL)

			12' x 24'	15' x 24'	15' x 30'	18' x 33'
ITEM	DESCRIPTION	PART NO.	QTY.	QTY.	QTY.	QTY.
	STEEL PACK "A" CARTON	1-1224-901-501	1	—	—	—
	STEEL PACK "A" CARTON	1-1524-901-501	—	1	—	—
	STEEL PACK "A" CARTON	1-1530-901-501	—	—	1	—
	STEEL PACK "A" CARTON	1-1833-901-501	—	—	—	1
1.	Top Rail	587-1102	8	10	10	12
2.	Stabilizer Rail (Large)	583-1011	8	9	9	11
3.	Stabilizer Rail (Small)	583-1012	8	9	9	11
4.	Bottom Connector	580-1344	10	12	12	14
5.	Vertical Top Cap	580-1907	18	18	22	24
6.	Top Connector	5188-0066	18	18	22	24
7.	Outer Connector Bracket	580-1912	10	12	12	14
8.	Coping	545-1001	33	35	41	46
9.	Bottom Rail	589-1133	8	—	—	—
	Bottom Rail	589-1134	—	10	10	—
	Bottom Rail	589-1136	—	—	—	12
10.	Assembly/Installation Instructions	573-2856	1	1	1	1
11.	Warranty Card	—	1	1	1	1
12.	Product Registration Card	565-1121	1	1	1	1
13.	Pool Parts List	573-2855	1	1	1	1
14.	Book - "Sensible Way. . ."	573-2743	1	1	1	1
15.	Book - "Safety First"	573-2778	1	1	1	1
16.	Brochure - "Children Aren't Waterproof"	573-2338	1	1	1	1
17.	Brochure - "Pool and Spa. . ."	573-2393	1	1	1	1
18.	Book - "Read Me First"	573-2777	1	1	1	1
19.	#10 x 3/8" Sheet Metal Screw	510-1000	132	144	160	180
20.	#10 x 1/2" Hex Screw	330-1127	18	18	22	24
21.	Buttress Top Rail	587-1103	10	8	12	12
22.	Connector Bracket	580-1906	8	6	10	10
23.	Apex Bottom Rail	589-1135	4	4	4	4
24.	Hold Down Plate	580-1939	6	4	8	8
25.	Stabilizer Rail Side	583-1045	6	4	8	8
26.	Bottom Rail Locator	580-1354	4	4	4	4
27.	Tension Strap - 12 Foot	580-1348	4	—	—	—
	Tension Strap - 15 Foot	580-1349	—	3	5	—
	Tension Strap - 18 Foot	580-1350	—	—	—	5
27a.	Optional Instructions	369-1214	1	1	1	1
	VERTICAL PACK	1-1200-904-508	1	—	—	—
	VERTICAL PACK	1-1500-904-508	—	1	1	—
	VERTICAL PACK	1-1800-904-508	—	—	—	1
28.	Vertical	580-1905	10	12	12	14
	VINYL LINER CARTON					
**29.	Liner 12' x 24'	1-1224-___	1	—	—	—
	Liner 15' x 24'	1-1524-___	—	1	—	—
	Liner 15' x 30'	1-1530-___	—	—	1	—
	Liner 18' x 33'	1-1833-___	—	—	—	1
30.	Chlorine/Winterizing Instructions	573-2421	1	1	1	1
31.	Warranty Card	—	1	1	1	1
*32.	Repair Patch - Vinyl	564-1000	1	1	1	1
33.	Warning Decal	560-1041	3	3	3	3
34.	Decal - Shallow-3 1/2 Ft.	560-1043	3	3	3	3
35.	Book - "Read Me First"	573-2777	1	1	1	1
***36.	Deep Area Decal	560-1042	3	3	3	3

* For Additional Patch Kits, order part number 1-2002-006.

**Write the number of your liner in the spaces provided here and above. # _____

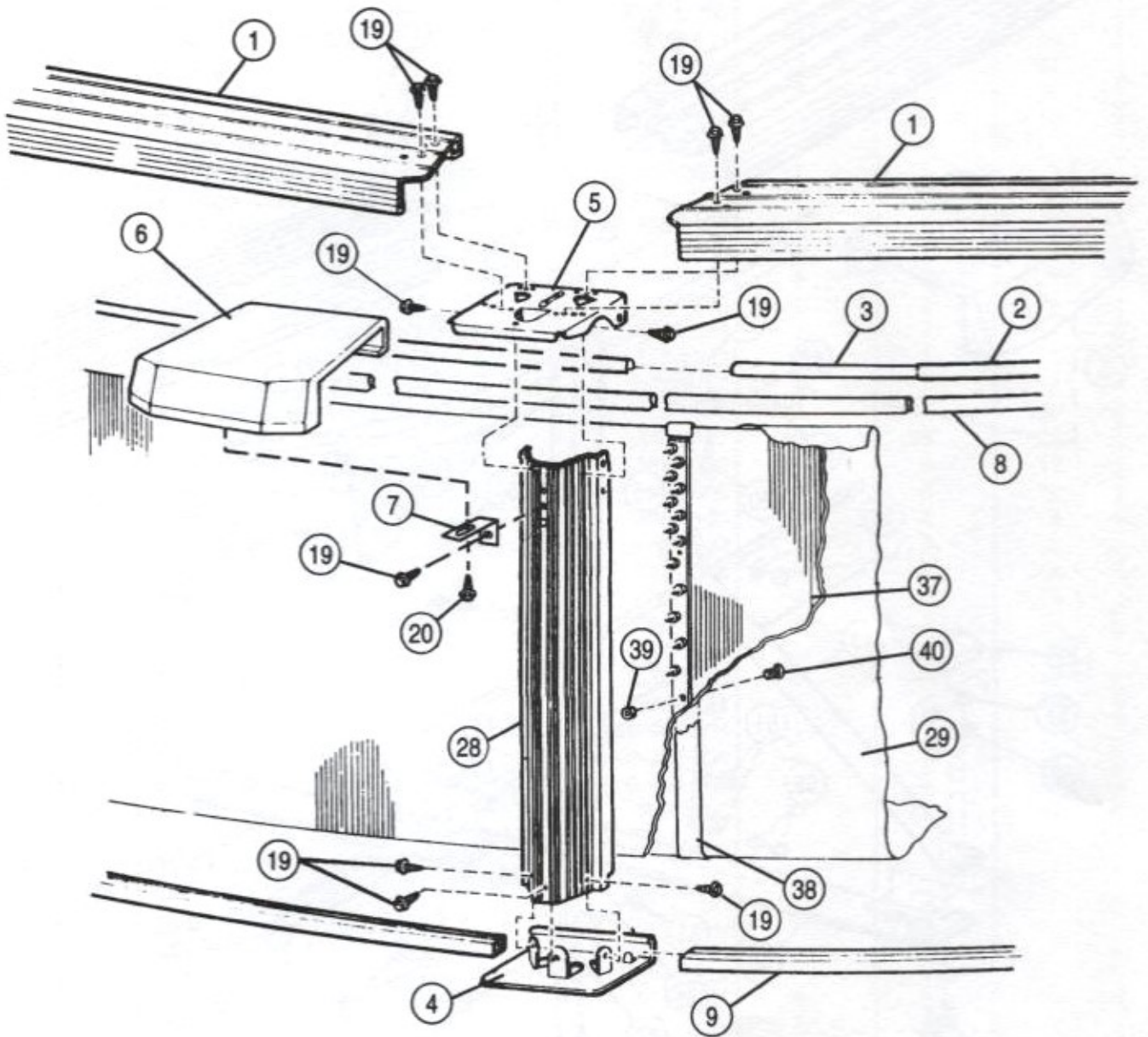
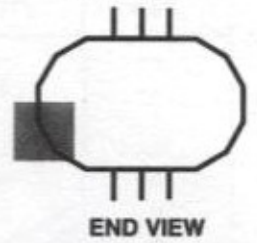
***Supplied with Variable Depth Liners only.

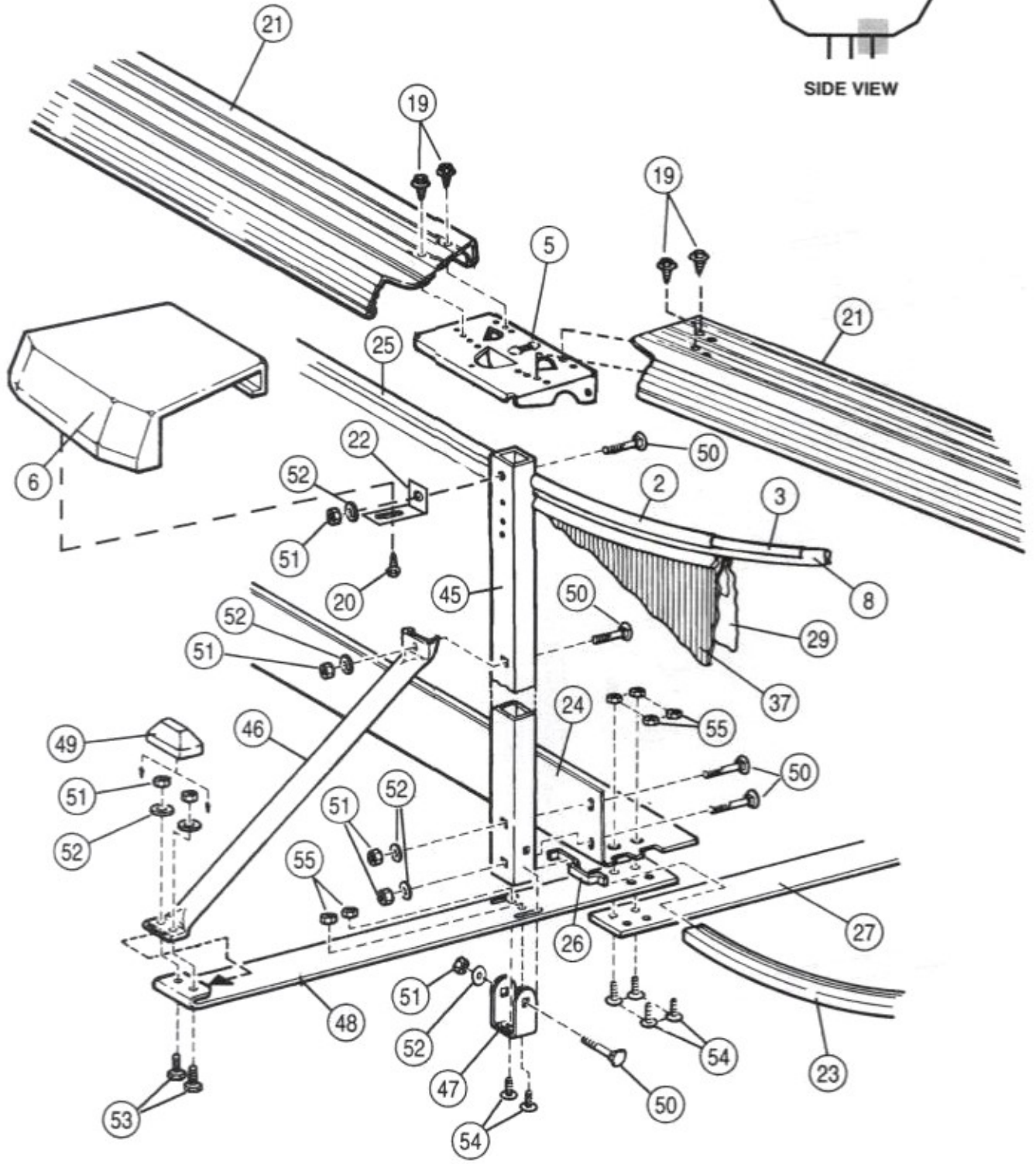
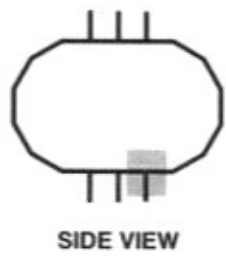
LOMART PARTS LIST (OVAL) Continued

			12' x 24'	15' x 24'	15' x 30'	18' x 33'
ITEM	DESCRIPTION	PART NO.	QTY.	QTY.	QTY.	QTY.
	SIDEWALL CARTON					
37.	High Sierra II - (12' x 24' x 48")	1-1224-906-023	1	—	—	—
	High Sierra II - (15' x 24' x 48")	1-1524-906-023	—	1	—	—
	High Sierra II - (15' x 30' x 48")	1-1531-906-023	—	—	1	—
	High Sierra II - (18' x 33' x 48")	1-1833-906-023	—	—	—	1
38.	Wall Protective Strip	535-1442	1	1	1	1
39.	1/4" x 20 Hex Nut	511-1000	23	23	23	23
40.	1/4" - 20 x 1" Slotted Screw	330-1151	23	23	23	23
41.	Warning Sign	560-1055	1	1	1	1
42.	Book - "Read Me First"	573-2777	1	1	1	1
43.	Adhesive Squares	310-1034	6	6	6	6
44.	Safety Video	573-2507	1	1	1	1
	SUPPORT PACK - 4	1-9994-000	2	—	1	1
	SUPPORT PACK - 6	1-9996-000	—	1	1	1
45.	Buttress Vertical	580-1319	8	6	10	10
46.	Buttress Diagonal	580-1322	8	6	10	10
47.	Vertical Yoke	580-1352	8	6	10	10
48.	Outside Tension Strap	580-1351	8	6	10	10
49.	Diagonal Cap	340-1493	8	6	10	10
50.	5/16 - 18 x 2-3/4" Carriage Bolt	330-1110	40	30	50	50
51.	5/16 - 18 Hex Nut	321-1031	56	42	70	70
52.	5/16" Washer	326-1019	56	42	70	70
53.	5/16 - 18 x 1-1/4" Hex Head Bolt	330-1109	16	12	20	20
54.	1/4 - 20 x 1/2" Machine Screw	330-1072	48	36	60	60
55.	1/4-20 Hex Nut	511-1000	48	36	60	60
****	DRAG PLATE KIT	1-9999-990	1	1	1	1
56.	Drag Plate	580-1428	4	4	4	4

**** Only supplied for pools with deep swimming area.

HIGH SIERRA II







Important! Above-ground pools are designed for swimming and wading only. Do not Dive or Jump! Misuse of your pool may result in crippling injury and/or other dangers to life and health. Do not use slides, diving boards, or any other platform or object which can be used for improper pool entry. Use only an above-ground swimming pool ladder to enter or exit your pool. It is the pool owner's responsibility to secure the pool against unauthorized, unsupervised or unintentional entry. It is also the pool owner's responsibility to warn all pool users of the hazards of diving into shallow water: paralyzing injury may result. Always obey all safety rules. Remember, pool safety is everybody's responsibility.

Change of Design: Lomart Industries expressly reserves the right to change or modify the design and construction of any product in due course of our manufacturing procedures, without incurring any obligation or liability to furnish or install such changes or modifications on products previously or subsequently sold.

Lomart

LOMART INDUSTRIES

10959 Jersey Blvd. • Rancho Cucamonga, CA 91730