

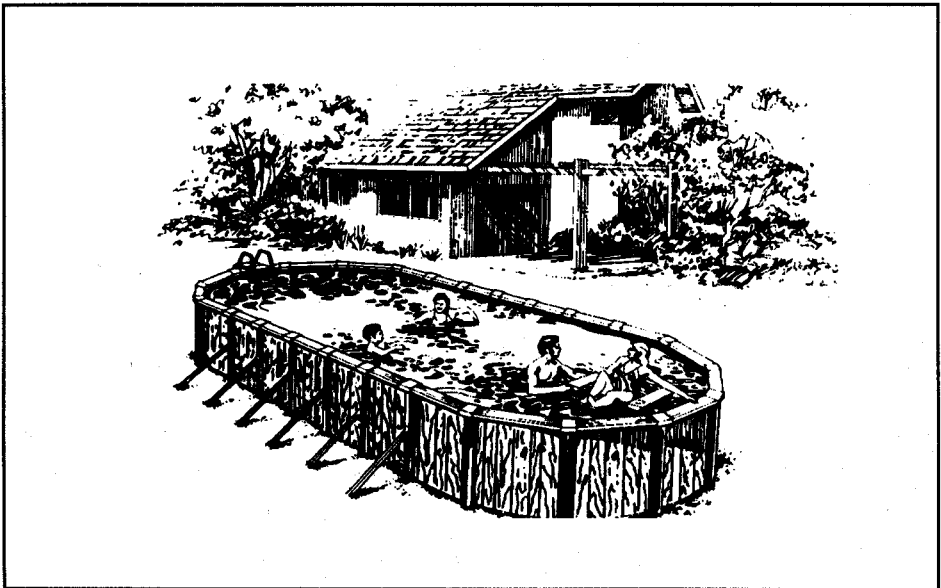
Lomart

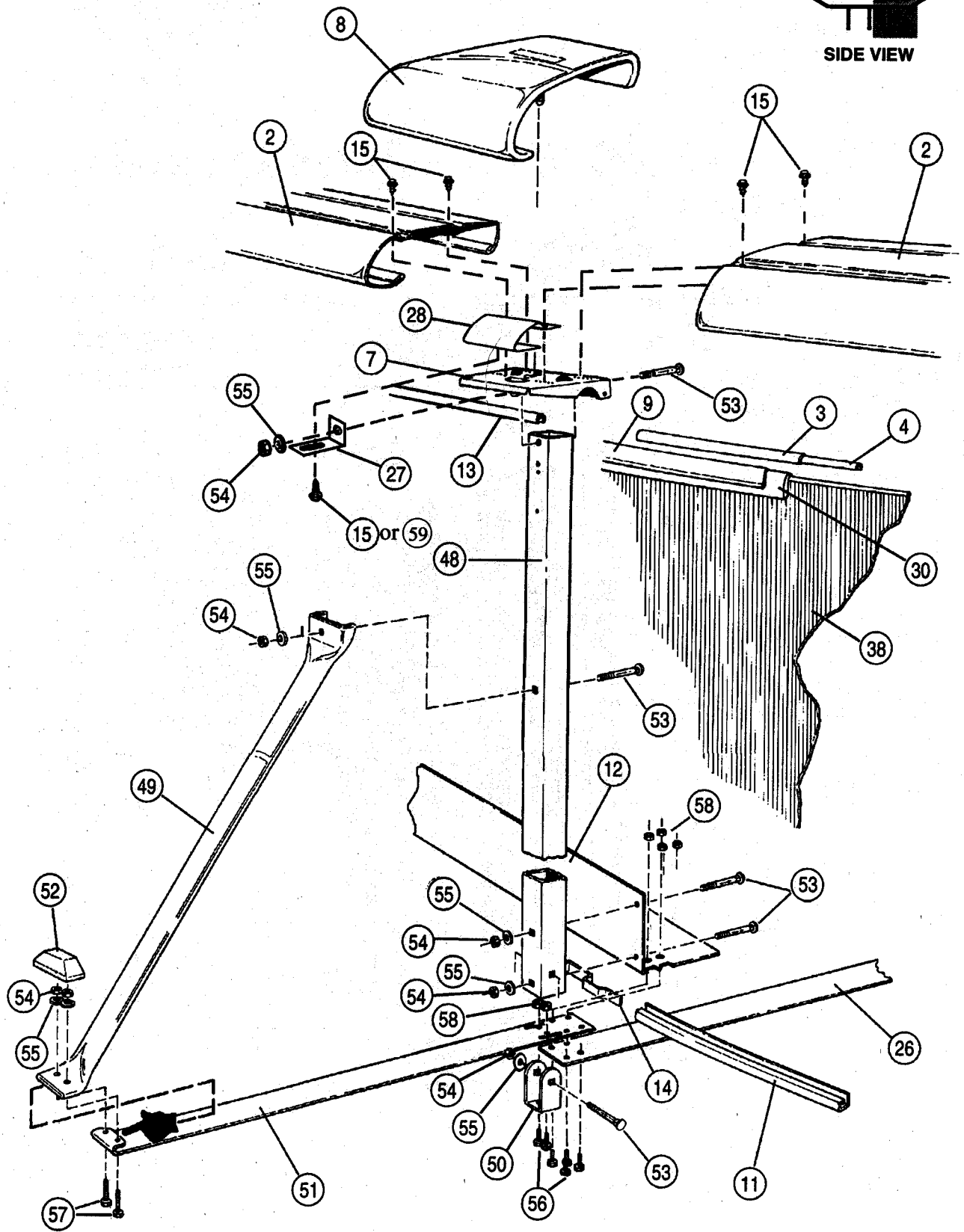
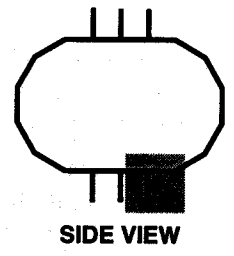
1998

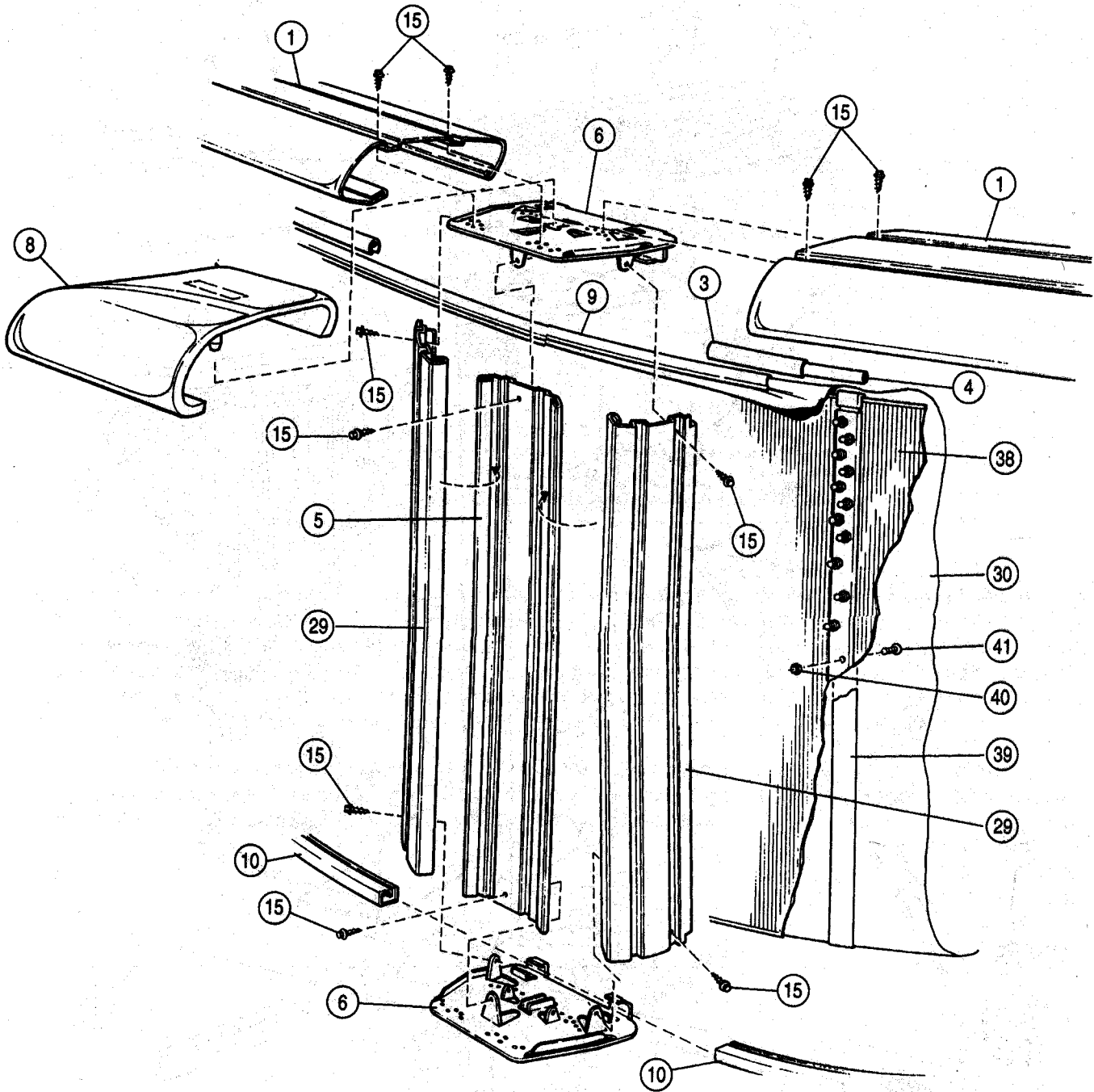
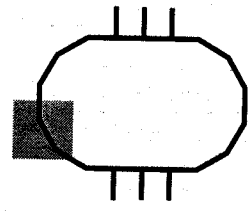
Deluxe Greystone — 8" Series

Oval Pools

Parts List







Lomart Parts List (Oval)

			15' x 24'	15' x 30'	18' x 33'	18' x 36'
ITEM	DESCRIPTION	PART NO.	QTY.	QTY.	QTY.	QTY.
	STEEL PACK "A" CARTON	1-1500-901-712	—	1	—	—
	STEEL PACK "A" CARTON	1-1800-901-712	—	—	1	1
	STEEL PACK "A" CARTON	1-1524-901-712	1	—	—	—
	STEEL PACK "B" CARTON	1-1530-902-712	—	1	—	—
	STEEL PACK "B" CARTON	1-1833-902-712	—	—	1	—
	STEEL PACK "B" CARTON	1-1836-902-712	—	—	—	1
1.	Top Rail	587-1310	10	10	12	12
2.	Top Rail Side	587-1308	8	12	12	14
3.	Stabilizer Rail (Large)	583-1011	9	9	11	11
4.	Stabilizer Rail (Small)	583-1012	9	9	11	11
5.	Vertical Center Section	580-1817	12	12	14	14
6.	Vertical End Cap	580-1825	24	24	28	28
7.	Side Vertical Top Cap	580-1907	6	10	10	12
8.	Top Connector	5188-0068	18	22	24	26
9.	Coping	545-1001	35	41	46	49
10.	Bottom Rail	589-1134	10	10	—	—
	Bottom Rail	589-1136	—	—	12	12
11.	Bottom Rail Apex	589-1135	4	4	4	4
12.	Hold Down Plate	580-1909	4	8	8	10
13.	Side Stabilizer Rail	583-1045	4	8	8	10
14.	Bottom Rail Locator	580-1354	4	4	4	4
15.	#10 x 3/8" Screw	510-1000	145	160	180	190
16.	Book - "Read Me First"	573-2777	1	1	1	1
17.	Book - "Safety First"	573-2778	1	1	1	1
18.	Book - "Sensible Way..."	573-2743	1	1	1	1
19.	Brochure - "Children Aren't..."	573-2338	1	1	1	1
20.	Brochure - "Pool and Spa..."	573-2393	1	1	1	1
21.	Product Registration Card	565-1121	1	1	1	1
22.	Assembly/Installation Instructions	573-2893	1	1	1	1
23.	Optional Instructions	369-1214	1	1	1	1
24.	Warranty Card - Metal	—	1	1	1	1
25.	Pool Parts List	573-2978	1	1	1	1
26.	Tension Strap - 15 Ft.	580-1349	3	5	—	—
	Tension Strap - 18 Ft.	580-1350	—	—	5	6
27.	Connector Bracket	580-1906	6	10	10	12
28.	Stabilizer Bracket	580-1942	6	10	10	12
	VERTICAL PACK	1-1500-904-702	1	1	—	—
	VERTICAL PACK	1-1800-904-702	—	—	1	1
29.	Vertical	580-1821	24	24	28	28

Lomart Parts List (Oval)

ITEM	DESCRIPTION	PART NO.	15' x 24'	15' x 30'	18' x 33'	18' x 36'
			QTY.	QTY.	QTY.	QTY.
	VINYL LINER CARTON					
**30.	Premium Liner (15' x 24' x 48")	1-1524-_____	1	—	—	—
	Premium Liner (15' x 30' x 48")	1-1530-_____	—	1	—	—
	Premium Liner (18' x 33' x 48")	1-1833-_____	—	—	1	—
	Premium Liner (18' x 36' x 48")	1-1836-_____	—	—	—	1
31.	Chlorine/Winterizing Instructions	573-2421	1	1	1	1
32.	Warranty Card	—	1	1	1	1
*33.	Repair Patch	564-1000	1	1	1	1
34.	Warning Decals	560-1041	3	3	3	3
35.	Decal - Shallow 3-1/2 Ft.	560-1043	3	3	3	3
36.	Book - "Read Me First"	573-2777	1	1	1	1
***37.	Decal - "Deeper Area"	560-1042	2	2	2	2
	SIDEWALL CARTON					
38.	Deluxe Greystone	1-1524-906-020	1	—	—	—
	Deluxe Greystone	1-1530-906-020	—	1	—	—
	Deluxe Greystone	1-1833-906-020	—	—	1	—
	Deluxe Greystone	1-8700-906-020	—	—	—	2
39.	Wall Protective Strip	535-1442	1	1	1	2
40.	1/4" - 20 Hex Nut	511-1000	23	23	23	46
41.	1/4" - 20 x 1" Slotted Screw	330-1151	23	23	23	46
42.	Cover Plate Skimmer (not shown)	580-1796	—	—	—	2
43.	Cover Plate - Return (not shown)	580-1797	—	—	—	2
44.	Warning Sign	560-1055	1	1	1	2
45.	Book - "Read Me First"	573-2777	1	1	1	2
46.	Adhesive Square	310-1034	6	6	6	12
47.	Safety Video	573-2507	1	1	1	2
	SUPPORT PACK 4	1-9994-098	—	1	1	—
	SUPPORT PACK 6	1-9996-098	1	1	1	2
48.	Buttress Vertical	580-1908	6	10	10	12
49.	Buttress Diagonal	580-1910	6	10	10	12
50.	Vertical Yoke	580-1352	6	10	10	12
51.	Outside Tension Strap	580-1351	6	10	10	12
52.	Diagonal Cap	340-1493	6	10	10	12
53.	5/16" - 18 x 2-3/4" Bolt	330-1110	30	50	50	60
54.	5/16" - 18 Hex Nut	321-1031	42	70	70	84
55.	5/16" Washer	326-1019	42	70	70	84
56.	1/4" - 20 x 1/2" Machine Screw	330-1072	36	60	60	72
57.	5/16" - 18 x 1-1/4" Screw	330-1109	12	20	20	24
58.	1/4" - 20 Hex Nut	511-1000	36	60	60	72
59.	#10 X 3/8" SCREW	510-1000	6	10	10	12
****	DRAG PLATE KIT	1-9999-990	1	1	1	1
60.	Drag Plate	580-1428	4	4	4	4

* For additional Patch Kits, order part number 1-2002-006.

** Write the number of your liner in the spaces provided here and above. #_____.

*** Only supplied in Variable Depth Liners.

**** Only supplied for deep end pools.