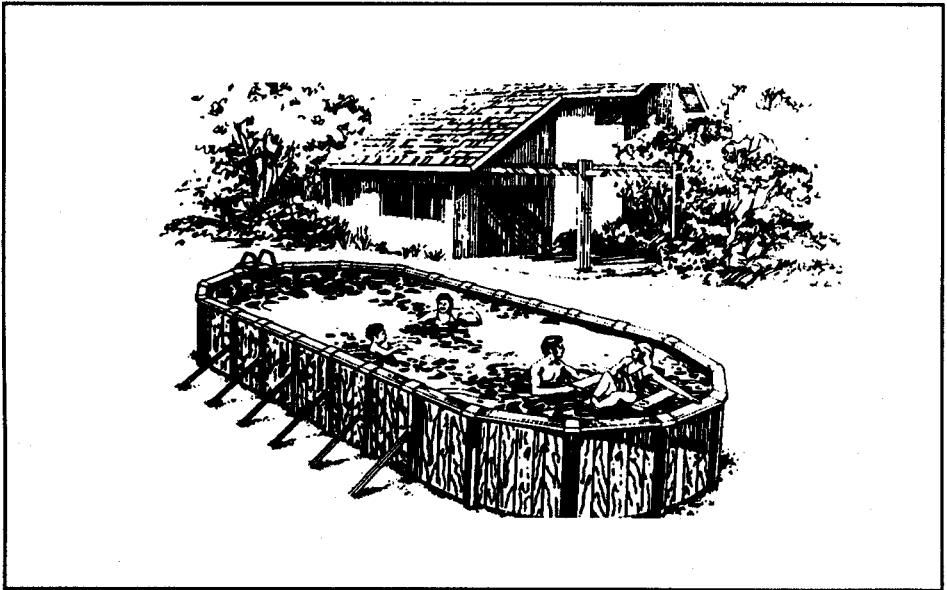


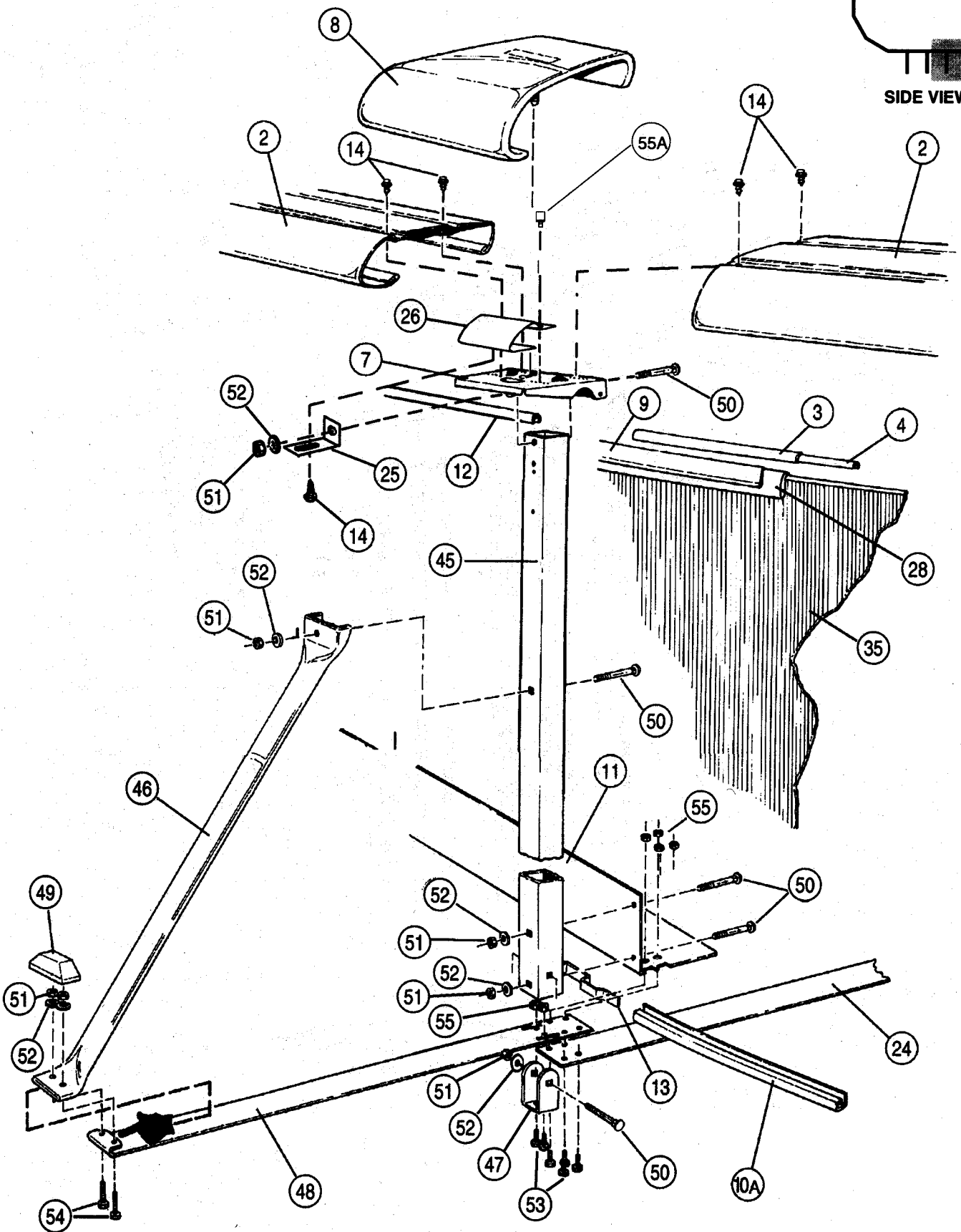
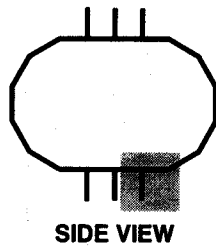
Lomart

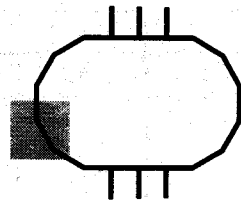
Deluxe Greystone — 8" Series

Oval Pools

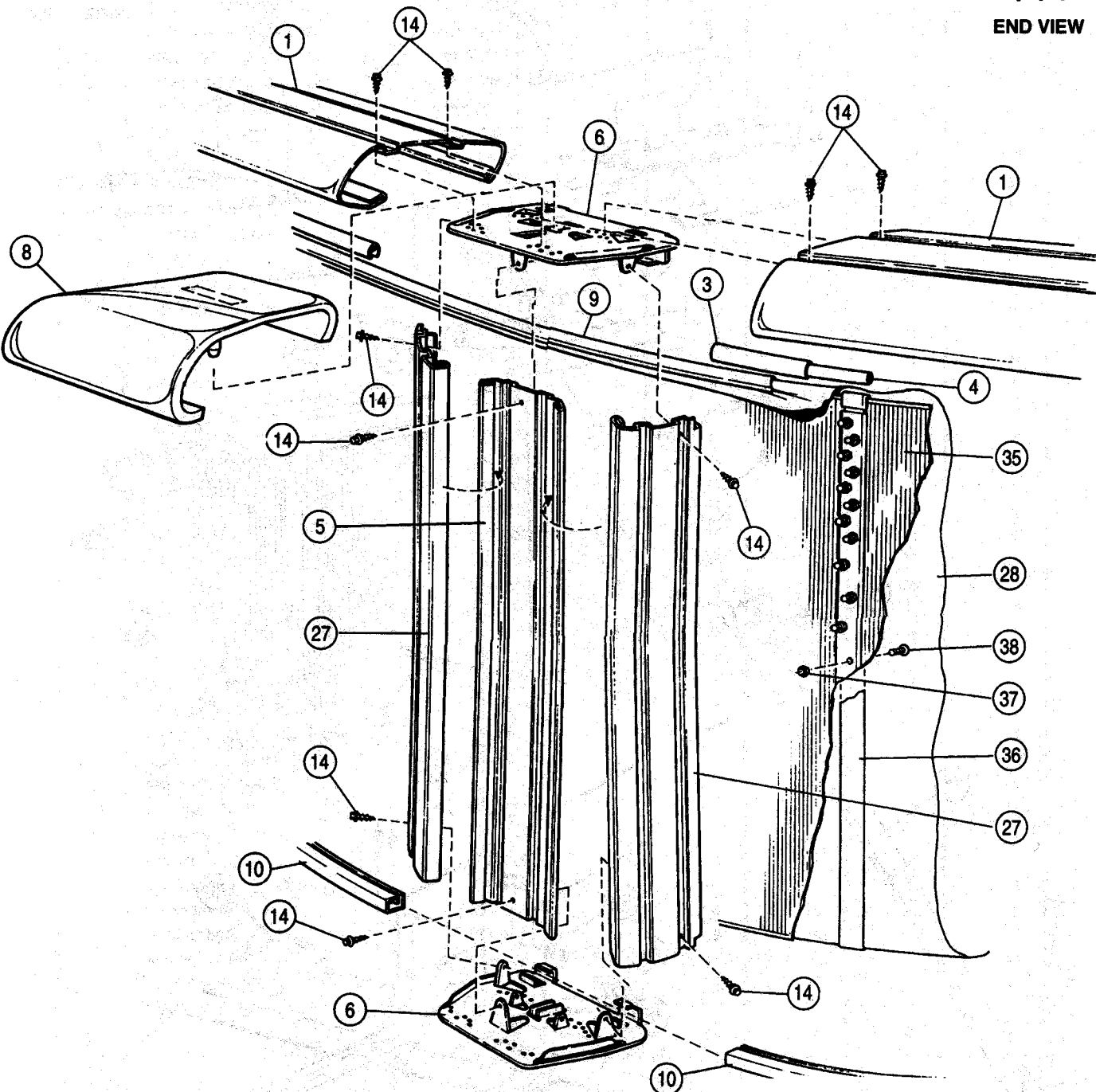
Parts List







END VIEW



Lomart Parts List (Oval)

			12' x 24'	15' x 24'	15' x 30'	18' x 33'	18' x 36'	18' x 39'
ITEM	DESCRIPTION	PART NO.	QTY.	QTY.	QTY.	QTY.	QTY.	QTY.
	STEEL PACK "A" CARTON	1-1224-901-712	1	—	—	—	—	—
	STEEL PACK "A" CARTON	1-1500-901-712	—	—	1	—	—	—
	STEEL PACK "A" CARTON	1-1800-901-712	—	—	—	1	1	1
	STEEL PACK "A" CARTON	1-1524-901-712	—	1	—	—	—	—
	STEEL PACK "B" CARTON	1-1530-902-712	—	—	1	—	—	—
	STEEL PACK "B" CARTON	1-1833-902-712	—	—	—	1	—	—
	STEEL PACK "B" CARTON	1-1836-902-712	—	—	—	—	1	—
	STEEL PACK "B" CARTON	1-1839-902-712	—	—	—	—	—	1
1.	Top Rail	587-1310	8	10	10	12	12	12
2.	Top Rail Side	587-1308	10	8	12	12	14	16
3.	Stabilizer Rail (Large)	583-1011	8	9	9	11	11	11
4.	Stabilizer Rail (Small)	583-1012	8	9	9	11	11	11
5.	Vertical Center Section	580-1817	10	12	12	14	14	14
6.	Vertical End Cap	580-1825	20	24	24	28	28	28
7.	Side Vertical Top Cap	580-1907	8	6	10	10	12	14
8.	Top Connector	5188-0068	18	18	22	24	26	28
9.	Coping	545-1001	33	35	41	46	49	52
10.	Bottom Rail	589-1133	8	—	—	—	—	—
	Bottom Rail	589-1134	—	10	10	—	—	—
	Bottom Rail	589-1136	—	—	—	12	12	12
10A.	Bottom Rail Apex	589-1135	4	4	4	4	4	4
11.	Hold Down Plate	580-1909	6	4	8	8	10	12
12.	Side Stabilizer Rail	583-1045	6	4	8	8	10	12
13.	Bottom Rail Locator	580-1354	4	4	4	4	4	4
14.	#10 x 3/8" Screw	510-1000	140	150	170	190	200	214
15.	Book - "Read Me First"	573-2777	1	1	1	1	1	1
16.	Book - "Safety First"	573-2778	1	1	1	1	1	1
17.	Book - "Sensible Way..."	573-2743	1	1	1	1	1	1
18.	Brochure - "Children Aren't..."	573-2338	1	1	1	1	1	1
19.	Brochure - "Pool and Spa..."	573-2393	1	1	1	1	1	1
20.	Product Registration Card	565-1121	1	1	1	1	1	1
21.	Assembly/Installation Instructions	573-2893	1	1	1	1	1	1
21A.	Optional Instructions	369-1214	1	1	1	1	1	1
22.	Warranty Card - Metal	—	1	1	1	1	1	1
23.	Pool Parts List	573-2926	1	1	1	1	1	1
24.	Tension Strap - 12 Ft.	580-1348	4	—	—	—	—	—
	Tension Strap - 15 Ft.	580-1349	—	3	5	—	—	—
	Tension Strap - 18 Ft.	580-1350	—	—	—	5	6	7
25.	Connector Bracket	580-1906	8	6	10	10	12	14
26.	Stabilizer Bracket	580-1942	8	6	10	10	12	14
	VERTICAL PACK	1-1200-904-702	1	—	—	—	—	—
	VERTICAL PACK	1-1500-904-702	—	1	1	—	—	—
	VERTICAL PACK	1-1800-904-702	—	—	—	1	1	1
27.	Vertical	580-1821	20	24	24	28	28	28

Lomart Parts List (Oval)

ITEM	DESCRIPTION	PART NO.	12' x 24'	15' x 24'	15' x 30'	18' x 33'	18' x 36'	18' x 39'
			QTY.	QTY.	QTY.	QTY.	QTY.	QTY.
VINYL LINER CARTON								
**28.	Premium Liner (12' x 24' x 48")	1-1224-_____	1	—	—	—	—	—
	Premium Liner (15' x 24' x 48")	1-1524-_____	—	1	—	—	—	—
	Premium Liner (15' x 30' x 48")	1-1530-_____	—	—	1	—	—	—
	Premium Liner (18' x 33' x 48")	1-1833-_____	—	—	—	1	—	—
	Premium Liner (18' x 36' x 48")	1-1836-_____	—	—	—	—	1	—
	Premium Liner (18' x 39' x 48")	1-1839-_____	—	—	—	—	—	1
29.	Chlorine/Winterizing Instructions	573-2421	1	1	1	1	1	1
30.	Warranty Card	—	1	1	1	1	1	1
*31.	Repair Patch	564-1000	1	1	1	1	1	1
32.	Warning Decals	560-1041	3	3	3	3	3	3
33.	Decal - Shallow 3-1/2 Ft.	560-1043	3	3	3	3	3	3
34.	Book - "Read Me First"	573-2777	1	1	1	1	1	1
***34A.	Decal - "Deeper Area"	560-1042	2	2	2	2	2	2
SIDEWALL CARTON								
35.	Deluxe Greystone	1-1224-906-020	1	—	—	—	—	—
	Deluxe Greystone	1-1524-906-020	—	1	—	—	—	—
	Deluxe Greystone	1-1530-906-020	—	—	1	—	—	—
	Deluxe Greystone	1-1833-906-020	—	—	—	1	—	—
	Deluxe Greystone	1-8700-906-020	—	—	—	—	2	—
	Deluxe Greystone	1-1839-906-020	—	—	—	—	—	2
36.	Wall Protective Strip	535-1442	1	1	1	1	2	2
37.	1/4" - 20 Hex Nut	511-1000	23	23	23	23	46	46
38.	1/4" - 20 x 1" Slotted Screw	330-1151	23	23	23	23	46	46
39.	Cover Plate Skimmer (not shown)	580-1796	—	—	—	—	2	2
40.	Cover Plate - Return (not shown)	580-1797	—	—	—	—	2	2
41.	Warning Sign	560-1055	1	1	1	1	2	2
42.	Book - "Read Me First"	573-2777	1	1	1	1	2	2
43.	Adhesive Square	310-1034	6	6	6	6	12	12
44.	Safety Video	573-2507	1	1	1	1	2	2
	SUPPORT PACK 4	1-9994-098	2	—	1	1	—	2
	SUPPORT PACK 6	1-9996-098	—	1	1	1	2	1
45.	Buttress Vertical	580-1908	8	6	10	10	12	14
46.	Buttress Diagonal	580-1910	8	6	10	10	12	14
47.	Vertical Yoke	580-1352	8	6	10	10	12	14
48.	Outside Tension Strap	580-1351	8	6	10	10	12	14
49.	Diagonal Cap	340-1493	8	6	10	10	12	14
50.	5/16" - 18 x 2-3/4" Bolt	330-1110	40	30	50	50	60	70
51.	5/16" - 18 Hex Nut	321-1031	56	42	70	70	84	98
52.	5/16" Washer	326-1019	56	42	70	70	84	98
53.	1/4" - 20 x 1/2" Machine Screw	330-1072	48	36	60	60	72	84
54.	5/16" - 18 x 1-1/4" Screw	330-1109	16	12	20	20	24	28
55.	1/4" - 20 Hex Nut	511-1000	48	36	60	60	72	84
55A.	#10 x 3/8" Sheet Metal Screw	510-1000	8	6	10	10	12	14
****	DRAG PLATE KIT	1-9999-990	1	1	1	1	1	1
56.	Drag Plate	580-1428	4	4	4	4	4	4

* For additional Patch Kits, order part number 1-2002-006.

** Write the number of your liner in the spaces provided here and above. # _____.

*** Only supplied in Variable Depth Liners.

**** Only supplied for deep end pools.