

The Single  
Source Supplier

**Lomart**

A Division of Hoffinger Industries, Inc.

## Grey Mist - 6" Series

Oval Pools

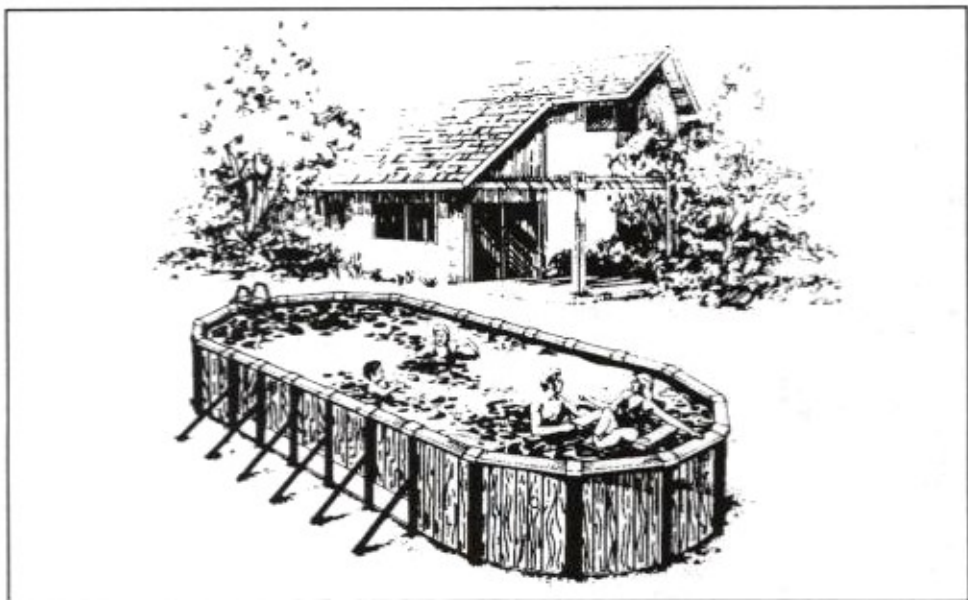
---

---

**Parts List**

---

---



573-3019

**LOMART OVAL POOLS PARTS LIST**

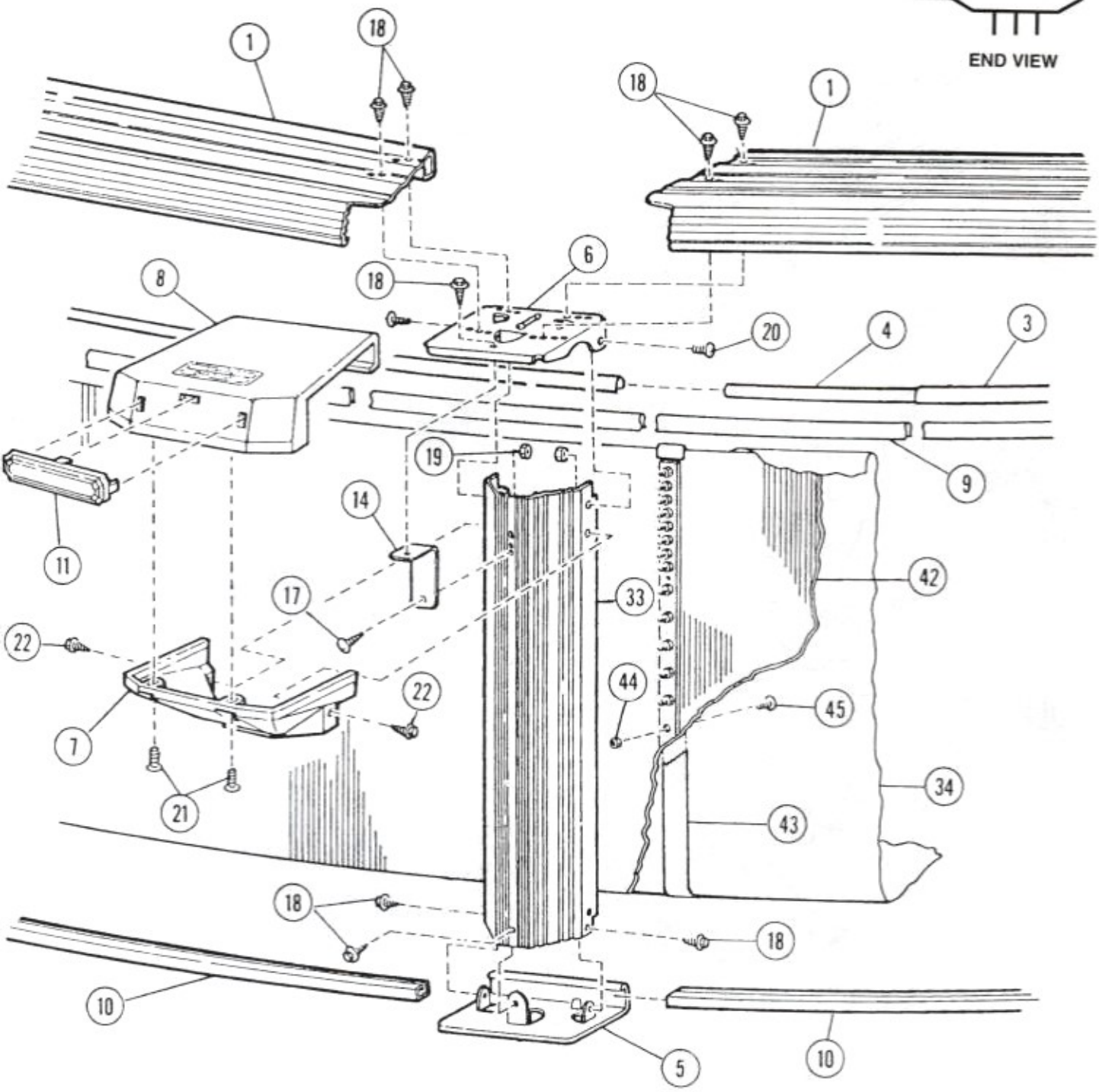
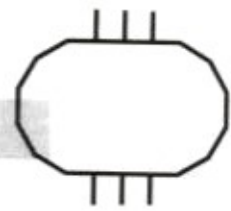
			15'x 24'	15'x 30'	18'x 33'	18'x 36'	18'x 39'
ITEM	DESCRIPTION	PART NO.	QTY.	QTY.	QTY.	QTY.	QTY.
	<b>STEEL PACK "A" CARTON</b>	1-1500-901-620	—	1	—	—	—
	<b>STEEL PACK "A" CARTON</b>	1-1800-901-620	—	—	1	1	1
	<b>STEEL PACK "A" CARTON</b>	1-1524-901-620	1	—	—	—	—
	<b>STEEL PACK "B" CARTON</b>	1-1530-902-620	—	1	—	—	—
	<b>STEEL PACK "B" CARTON</b>	1-1833-902-620	—	—	1	—	—
	<b>STEEL PACK "B" CARTON</b>	1-1836-902-620	—	—	—	1	—
	<b>STEEL PACK "B" CARTON</b>	1-1839-902-620	—	—	—	—	1
1.	Top Rail	587-1321	10	10	12	12	12
2.	Top Rail - Side	587-1429	8	12	12	14	16
3.	Stabilizer Rail (Large)	583-1011	9	9	11	11	11
4.	Stabilizer Rail (Small)	583-1012	9	9	11	11	11
5.	Bottom Connector	580-1343	12	12	14	14	14
6.	Vertical Top Cap	580-1907	18	22	24	26	28
7.	Vertical Skirt	340-2012	12	12	14	14	14
8.	Top Connector	340-2011	18	22	24	26	28
9.	Coping	545-1001	35	41	46	49	52
10.	Bottom Rail	589-1134	10	10	—	—	—
	Bottom Rail Apex	589-1135	4	4	4	4	4
	Bottom Rail	589-1136	—	—	12	12	12
11.	Plaque	340-2010	18	22	24	26	28
12.	15' Tension Strap	580-1349	3	5	—	—	—
	18' Tension Strap	580-1350	—	—	5	6	7
13.	Holddown Plate	580-2043	4	8	8	10	12
14.	Vertical Tab	580-1460	12	12	14	14	14
15.	Side Stabilizer	583-1063	4	8	8	10	12
16.	Bottom Rail Locator	580-1354	4	4	4	4	4
17.	#14 x 1/2" Screw	330-1075	18	22	24	26	28
18.	#10 x 3/8" Screw	510-1000	120	136	152	160	168
19.	1/4" - 20 Kep Nut	432-1000	24	24	28	28	28
20.	1/4" - 20 x 1/2" Screw	330-1072	24	24	28	28	28
21.	#10 x 5/8" Screw	330-1057	36	44	48	52	56
22.	#10 x 1/2" Screw	330-1127	24	24	28	28	28
23.	Book - "Read Me First"	573-2777	1	1	1	1	1
24.	Book - "Safety First"	573-2778	1	1	1	1	1
25.	Book - "Sensible Way. . ."	573-2743	1	1	1	1	1
26.	Brochure - "Children Aren't. . ."	573-2338	1	1	1	1	1
27.	Brochure - "Pool and Spa. . ."	573-2393	1	1	1	1	1
28.	Product Registration Card	565-1121	1	1	1	1	1
29.	Assembly/Installation Instructions	573-3018	1	1	1	1	1
30.	Warranty Card - Metal	—	1	1	1	1	1
31.	Pool Parts List	573-3019	1	1	1	1	1
32.	Buttress Skirt	340-1632	6	10	10	12	14
	<b>VERTICAL PACK</b>	1-1501-904-620	1	1	—	—	—
	<b>VERTICAL PACK</b>	1-1801-904-620	—	—	1	1	1
33.	Vertical	580-2042	12	12	14	14	14

## LOMART OVAL POOLS PARTS LIST (Con't)

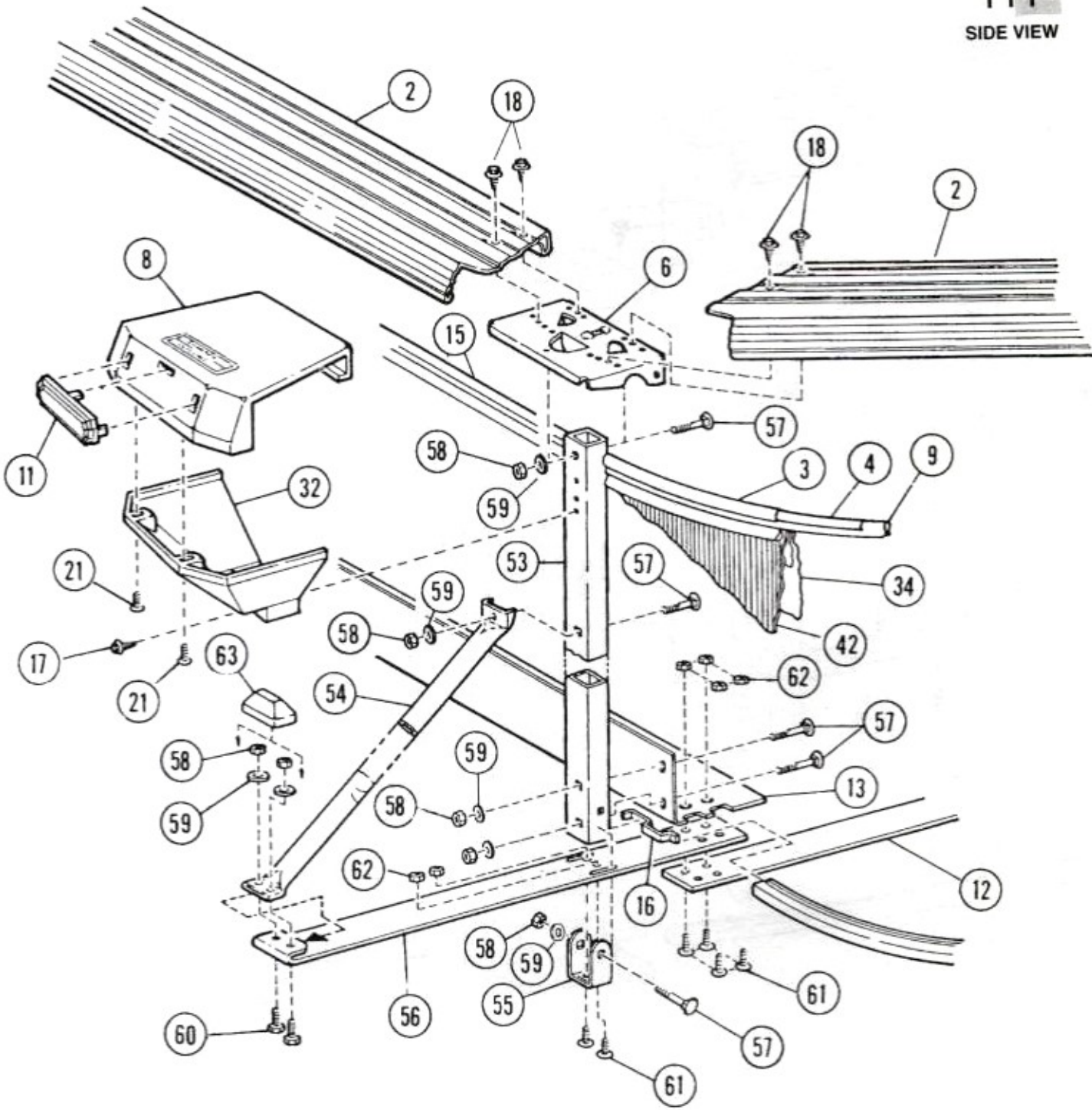
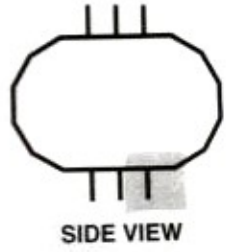
ITEM	DESCRIPTION	PART NO.	15'x 24'	15'x 30'	18'x 33'	18'x 36'	18'x 39'
			QTY.	QTY.	QTY.	QTY.	QTY.
<b>VINYL LINER CARTON</b>							
**34.	Premium Liner (15' x 24' x 52")	1-1524-908-___	1	—	—	—	—
	Premium Liner (15' x 30' x 52")	1-1530-908-___	—	1	—	—	—
	Premium Liner (18' x 33' x 52")	1-1833-908-___	—	—	1	—	—
	Premium Liner (18' x 36' x 52")	1-1836-908-___	—	—	—	1	—
	Premium Liner (18' x 39' x 52")	1-1839-908-___	—	—	—	—	1
35.	Chlorine/Winterizing Instructions	573-2421	1	1	1	1	1
36.	Warranty Card - Liner	—	1	1	1	1	1
*37.	Repair Patch	564-1000	1	1	1	1	1
38.	Warning Decals	560-1041	3	3	3	3	3
39.	Decal - Shallow-3 3/4 Ft.	560-1056	3	3	3	3	3
40.	Shallow Decal Insert Sheet	369-1216	1	1	1	1	1
41.	Book - "Read Me First"	573-2777	1	1	1	1	1
<b>SIDEWALL CARTON</b>							
42.	Grey Mist (15' x 24' x 52")	1-1524-906-030	1	—	—	—	—
	Grey Mist (15' x 30' x 52")	1-1530-906-030	—	1	—	—	—
	Grey Mist (18' x 33' x 52")	1-1833-906-030	—	—	1	—	—
	Grey Mist (18' x 36' x 52")	1-1836-906-030	—	—	—	2	—
	Grey Mist (18' x 39' x 52")	1-1839-906-030	—	—	—	—	2
43.	Wall Protective Strip	535-1442	1	1	1	2	2
44.	1/4" - 20 Hex Nut	511-1000	27	27	27	54	54
45.	1/4" - 20 x 1" Slotted Screw	330-1151	27	27	27	54	54
46.	Cover Plate - Skimmer (not shown)	580-2046	—	—	—	2	2
47.	Cover Plate - Return (not shown)	580-2047	—	—	—	2	2
48.	Warranty Card - Metal	—	1	1	1	2	2
49.	Warning Sign	560-1055	1	1	1	2	2
50.	Book - "Read Me First"	573-2777	1	1	1	2	2
51.	Adhesive Square	310-1034	6	6	6	12	12
52.	Safety Video	573-2507	1	1	1	2	2
	<b>SUPPORT PACK CARTON - 4</b>	1-1004-907	—	1	1	—	2
	<b>SUPPORT PACK CARTON - 6</b>	1-1006-907	1	1	1	2	1
53.	Buttress Verticals	580-2044	6	10	10	12	14
54.	Buttress Diagonals	580-2045	6	10	10	12	14
55.	Vertical Yoke	580-1352	6	10	10	12	14
56.	Outside Tension Strap	580-1974	6	10	10	12	14
57.	5/16" - 18 x 2- 3/4" Bolt	330-1110	30	50	50	60	70
58.	5/16" - 18 Hex Nut	321-1031	42	70	70	84	98
59.	5/16" Washer	326-1019	42	70	70	84	98
60.	5/16" - 18 x 1 - 1/4" Hex head Bolt	330-1109	12	20	20	24	28
61.	1/4" - 20 x 1/2" Slotted Screw	330-1072	36	60	60	72	84
62.	1/4" - 20 Hex Nut	511-1000	36	60	60	72	84
63.	Diagonal Cap	340-1493	6	10	10	12	14

\* For additional Repair Patch Kits, order part number 1-2002-006.

\*\*Write the number of your liner in the spaces provided here and above. # \_\_\_\_\_









**Important!** Above-ground pools are designed for swimming and wading only. Do not Dive or Jump! Misuse of your pool may result in crippling injury and/or other dangers to life and health. Do not use slides, diving boards, or any other platform or object which can be used for improper pool entry. Use only an above-ground swimming pool ladder to enter or exit your pool. It is the pool owner's responsibility to secure the pool against unauthorized, unsupervised or unintentional entry. It is also the pool owner's responsibility to warn all pool users of the hazards of diving into shallow water: paralyzing injury may result. Always obey all safety rules. Remember, pool safety is everybody's responsibility.

**Change of Design:** Lomart Industries expressly reserves the right to change or modify the design and construction of any product in due course of our manufacturing procedures, without incurring any obligation or liability to furnish or install such changes or modifications on products previously or subsequently sold.

*The Single  
Source Supplier*  
**Lomart**  
A Division of Hoffinger Industries, Inc.

**LOMART INDUSTRIES**

**10959 Jersey Blvd. • Rancho Cucamonga, CA 91730**

**Visit our website at [www.lomart.com](http://www.lomart.com)**