

Grey Mist 6" ROUND POOLS PARTS LIST

ITEM	DESCRIPTION	PART NO.	15' x 52"	18' x 52"	21' x 52"	24' x 52"	27' x 52"
			QTY.	QTY.	QTY.	QTY.	QTY.
	FRAME PACK "A" CARTON	1-1552-901-621	1	—	—	—	—
	FRAME PACK "A" CARTON	1-1852-901-621	—	1	—	—	—
	FRAME PACK "A" CARTON	1-2152-901-621	—	—	1	—	—
	FRAME PACK "A" CARTON	1-2452-901-621	—	—	—	1	—
	FRAME PACK "A" CARTON	1-2752-901-621	—	—	—	—	1
1.	Top Rail	587-1321	12	14	—	—	—
	Top Rail	587-1322	—	—	16	18	20
2.	Stabilizer Rail (Large)	583-1011	8	9	—	—	—
	Stabilizer Rail	583-1005	—	—	10	11	12
3.	Stabilizer Rail (Small)	583-1012	8	9	—	—	—
	Stabilizer Rail	583-1004	—	—	10	11	12
4.	Bottom Connector	580-1343	12	14	16	18	20
5.	Vertical Top Cap	580-1907	12	14	16	18	20
6.	Vertical Skirt	340-2012	12	14	16	18	20
7.	Top Connector	340-2011	12	14	16	18	20
*8.	Coping	545-1001	26	31	35	40	45
9.	Bottom Rail	589-1156	12	—	—	—	—
	Bottom Rail	589-1136	—	14	—	—	—
	Bottom Rail	589-1137	—	—	16	—	—
	Bottom Rail	589-1138	—	—	—	18	—
	Bottom Rail	589-1139	—	—	—	—	20
10.	Assembly/Installation Instructions	573-3132	1	1	1	1	1
11.	Warranty Card - Metal	—	1	1	1	1	1
12.	Product Registration Card	565-1121	1	1	1	1	1
13.	Pool Parts List	573-3156	1	1	1	1	1
14.	Book - "Read Me First"	573-3169	1	1	1	1	1
15.	Book - "Sensible Way"	573-2743	1	1	1	1	1
16.	Book - "Safety First"	573-2778	1	1	1	1	1
17.	Brochure - "Children Aren't ..."	573-2338	1	1	1	1	1
18.	Brochure - "Pool and Spa ..."	573-2393	1	1	1	1	1
**19.	#10 x 3/8" Screw	510-1000	96	112	128	144	160
**20.	#10 x 5/8" Screw	330-1057	24	28	32	36	40
**21.	#10 x 1/2" Screw	330-1127	24	28	32	36	40
22.	Plaque	340-2010	12	14	16	18	20
23.	Vertical Tab	580-1460	12	14	16	18	20
**24.	#14 x 1/2" Screw	330-1075	12	14	16	18	20
**25.	1/4" - 20 Kap Nut	432-1000	24	28	32	36	40
**26.	1/4" - 20 x 1/2" Screw	330-1072	24	28	32	36	40
	VERTICAL PACK	1-1501-904-620	1	—	—	—	—
	VERTICAL PACK	1-1801-904-620	—	1	—	—	—
	VERTICAL PACK	1-2101-904-620	—	—	1	—	—
	VERTICAL PACK	1-2401-904-620	—	—	—	1	—
	VERTICAL PACK	1-2701-904-620	—	—	—	—	1
27.	Vertical	580-2042	12	14	16	18	20
	VINYL LINER CARTON						
**25.	Premium Liner 15' Diameter	1-1552-_____	1	—	—	—	—
	Premium Liner 18' Diameter	1-1852-_____	—	1	—	—	—
	Premium Liner 21' Diameter	1-2152-_____	—	—	1	—	—
	Premium Liner 24' Diameter	1-2452-_____	—	—	—	1	—
	Premium Liner 27' Diameter	1-2752-_____	—	—	—	—	1

LOMART ROUND POOLS PARTS LIST

			15' x 52"	18' x 52"	21' x 52"	24' x 52"	27' x 52"
ITEM	DESCRIPTION	PART NO.	QTY.	QTY.	QTY.	QTY.	QTY.
29.	Chlorine/Winterizing Instructions	573-2421	1	1	1	1	1
****30.	Liner Installation Instructions	573-3043	1	1	1	1	1
31.	Warranty Card - Liner	—	1	1	1	1	1
*****32.	Repair Patch	564-1000	1	1	1	1	1
33.	Warning Decal	560-1041	3	3	3	3	3
34.	Decal - Shallow 3 3/4 Ft.	560-1056	3	3	3	3	3
35.	Shallow Decal Insert Sheet	369-1216	1	1	1	1	1
36.	Book - "Read Me First"	573-3169	1	1	1	1	1
*****37.	Decal - Deeper Area	560-1042	2	2	2	2	2
SIDEWALL CARTON							
38.	Grey Mist (15' x 52")	1-1552-906-033	1	—	—	—	—
	Grey Mist (18' x 52")	1-1852-906-033	—	1	—	—	—
	Grey Mist (21' x 52")	1-2152-906-033	—	—	1	—	—
	Grey Mist (24' x 52")	1-2452-906-033	—	—	—	1	—
	Grey Mist (27' x 52")	1-2752-906-033	—	—	—	—	1
39.	Wall Protective Strip	535-1442	1	1	1	1	1
40.	1/4" - 20 Hex Nut	321-1029	26	26	26	26	26
41.	1/4" - 20 x 1/2" Screw	330-1280	26	26	26	26	26
42.	Warranty Card - Metal	—	1	1	1	1	1
43.	Warning Sign	560-1055	1	1	1	1	1
44.	Book - "Read Me First"	573-3169	1	1	1	1	1
45.	Safety Video	573-2507	1	1	1	1	1

*For use with stretch-in liners only.

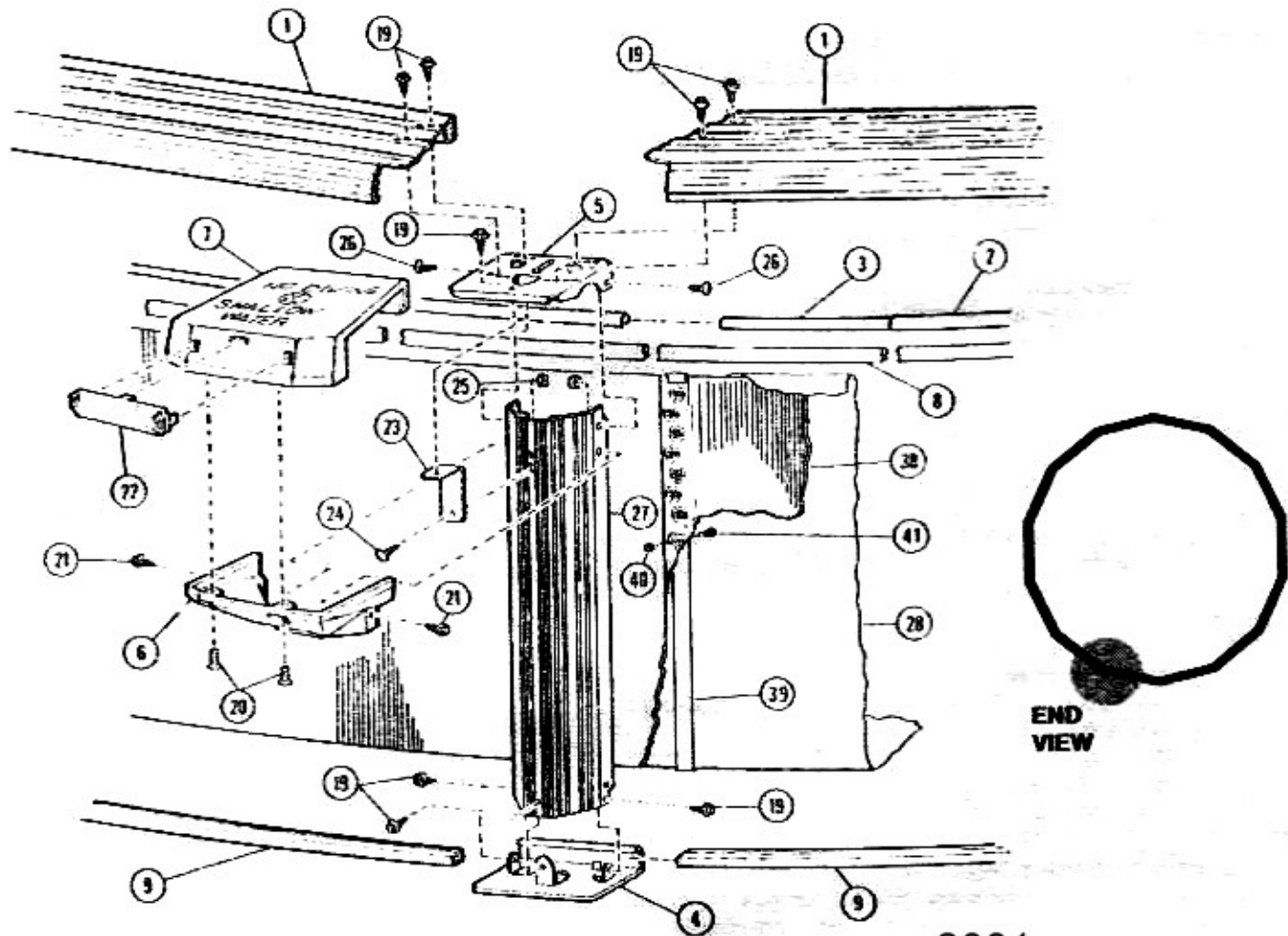
**Screws, nuts and washers available at your local hardware store.

***Write the number of your liner in the spaces provided here and in the list. # _____

****For use with snap-fast liners only.

*****For Additional Patch Kits, order part number 1-2002-006.

*****For use with deep end pools only.



2001