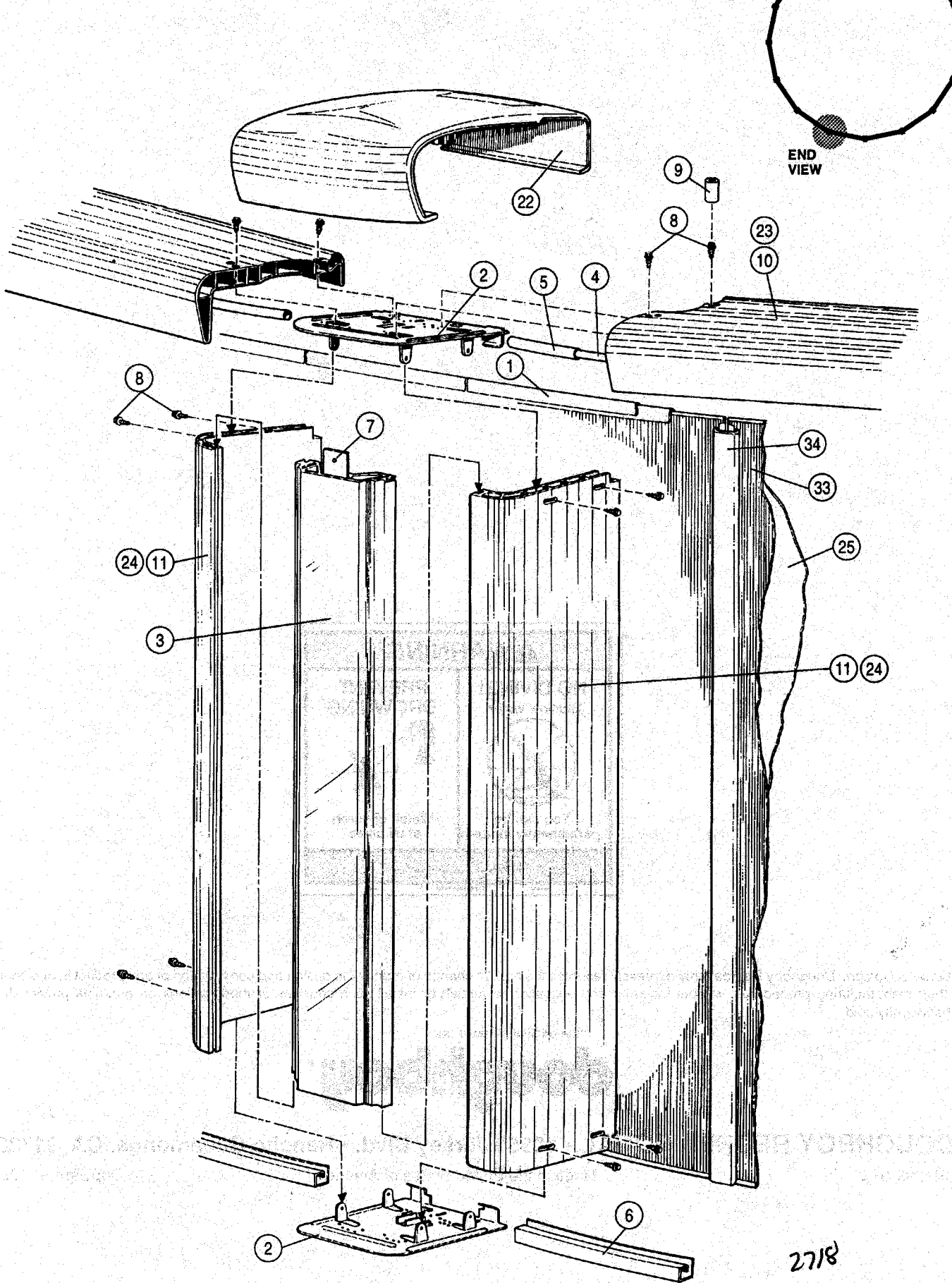


"the original portable pool"

doughboy®

Signature Series

10-1/2" Top Rail Round Pool



Signature Series Round Pool — Parts List

ITEM #	DESCRIPTION	18' x 48"		21' x 48"		24' x 48"		28' x 48"	
		PART#	QTY.	PART#	QTY.	PART#	QTY.	PART#	QTY.
	ASSEMBLY PACK	0-9918-000	1	0-9921-000	1	0-9924-000	1	0-9928-000	1
1.	Plastic Coping - 24"	545-1001	30	545-1001	35	545-1001	40	545-1001	46
2.	Vertical End Cap	580-1775	28	580-1775	32	580-1775	36	580-1775	42
3.	Vertical Center Section	341-1271	14	341-1271	16	341-1271	18	341-1271	21
4.	Stabilizer Rail - Small	583-1012	9	583-1004	10	583-1004	11	583-1004	13
5.	Stabilizer Rail-Large	583-1011	9	583-1005	10	583-1005	11	583-1005	13
6.	Bottom Rail	589-1048	14	589-1049	16	589-1050	18	589-1051	21
7.	Fencing Strip	580-1798	14	580-1798	16	580-1798	18	580-1798	21
8.	Sheet Metal Screw #10 x 3/8"	510-1000	168	510-1000	192	510-1000	216	510-1000	252
9.	Magnetic Socket - 5/16"	317-1016	1	317-1016	1	317-1016	1	317-1016	1
10.	Top Rail	—	—	—	—	—	—	587-1292	1
11.	Vertical Side Section	—	—	—	—	—	—	341-1253	2
12.	Pool Parts List	573-2718	1	573-2718	1	573-2718	1	573-2718	1
13.	Pool Installation Instructions	573-2654	1	573-2654	1	573-2654	1	573-2654	1
14.	"Read Me First" Booklet	573-2417	1	573-2417	1	573-2417	1	573-2417	1
15.	"Enjoy Your Pool" Booklet	573-2743	1	573-2743	1	573-2743	1	573-2743	1
16.	"Safety First" Booklet	573-2583	1	573-2583	1	573-2583	1	573-2583	1
17.	"Children Aren't..." Booklet	573-2338	1	573-2338	1	573-2338	1	573-2338	1
18.	"Pool and Spa" Booklet	573-2393	1	573-2393	1	573-2393	1	573-2393	1
19.	Warranty Card	565-1129	1	565-1129	1	565-1129	1	565-1129	1
20.	Product Registration Card	565-1117	1	565-1117	1	565-1117	1	565-1117	1
21.	Pool Installation Insert Sheet	369-1185	1	369-1185	1	369-1185	1	369-1185	1
	TOP CONNECTOR PACK	0-9999-014	1	0-9999-016	1	0-9999-018	1	0-9999-021	1
22.	Top Connector	5188-0046	14	5188-0046	16	5188-0046	18	5188-0046	21
	TOP RAIL PACK	—	—	—	—	0-9810-000	1	0-9810-000	2
		0-9806-000	1	—	—	—	—	—	—
		0-9808-000	1	0-9808-000	2	0-9808-000	1	—	—
23.	Top Rail	587-1292	14	587-1292	16	587-1292	18	587-1292	20
	VERTICAL PACK	—	—	—	—	0-9710-000	1	0-9710-000	2
		0-9706-000	1	—	—	—	—	—	—
		0-9708-000	1	0-9708-000	2	0-9708-000	1	—	—
24.	Vertical Side Section	341-1253	28	341-1253	32	341-1253	36	341-1253	40
	POOL LINER CARTON	—	—	—	—	—	—	—	—
25.	Pool Liner	0-1848-726-000	1	0-2148-726-000	1	0-2448-726-000	1	0-2848-726-000	1
26.	Chlorine/Winterizing Instructions	573-2421	1	573-2421	1	573-2421	1	573-2421	1
27.	"Warning" Decal	560-1041	3	560-1041	3	560-1041	3	560-1041	3
28.	Warranty Card	565-1103	1	565-1103	1	565-1103	1	565-1103	1
29.	Repair Patch	564-1000	1	564-1000	1	564-1000	1	564-1000	1
30.	"Deeper Area" Decal	560-1042	2	560-1042	2	560-1042	2	560-1042	2
31.	"Shallow" Decal	560-1043	3	560-1043	3	560-1043	3	560-1043	3
32.	"Read Me First" Booklet	573-2417	1	573-2417	1	573-2417	1	573-2417	1
32A.	Installation Insert Sheet	369-1145	1	369-1145	1	369-1145	1	369-1145	1
	SIDEWALL CARTON	—	—	—	—	—	—	—	—
33.	Sidewall	0-0608-018	1	0-0608-021	1	0-0608-024	1	0-0608-028	1
34.	Joint Piece	580-1002	1	580-1002	1	580-1002	1	580-1002	1
35.	Large Cover Plate	580-1799	1	580-1799	1	580-1799	1	580-1799	1
36.	Small Cover Plate	580-1800	1	580-1800	1	580-1800	1	580-1800	1
37.	Warranty Card	565-1129	1	565-1129	1	565-1129	1	565-1129	1
38.	"Warning" Sign	560-1046	1	560-1046	1	560-1046	1	560-1046	1
39.	"Read Me First" Booklet	573-2417	1	573-2417	1	573-2417	1	573-2417	1
40.	Black Marking Pen	332-1079	1	332-1079	1	332-1079	1	332-1079	1
41.	Adhesive Squares	310-1034	6	310-1034	6	310-1034	6	310-1034	6
42.	Safety Video	573-2500	1	573-2500	1	573-2500	1	573-2500	1