

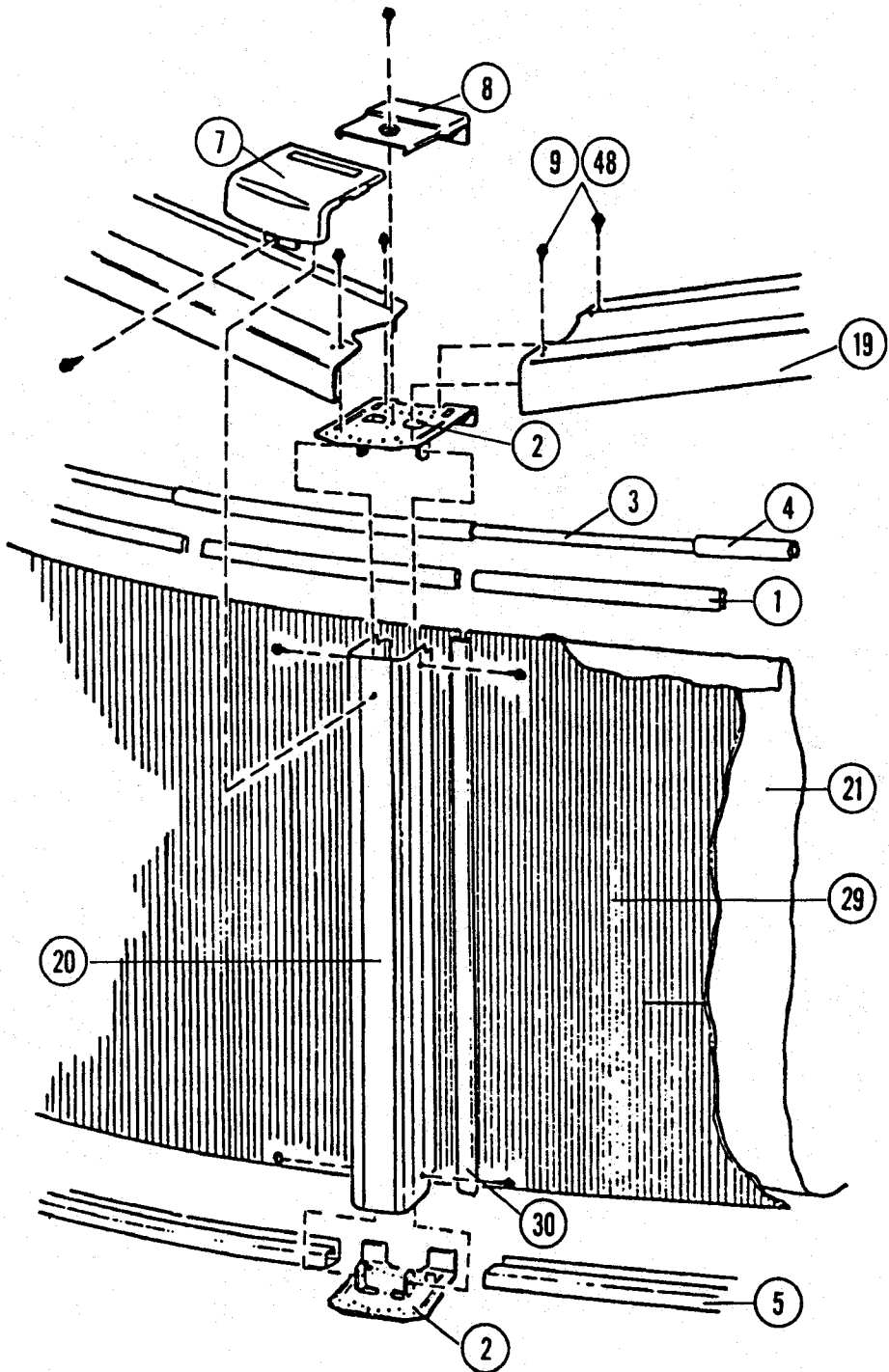
"the original portable pool"

**doughboy®**

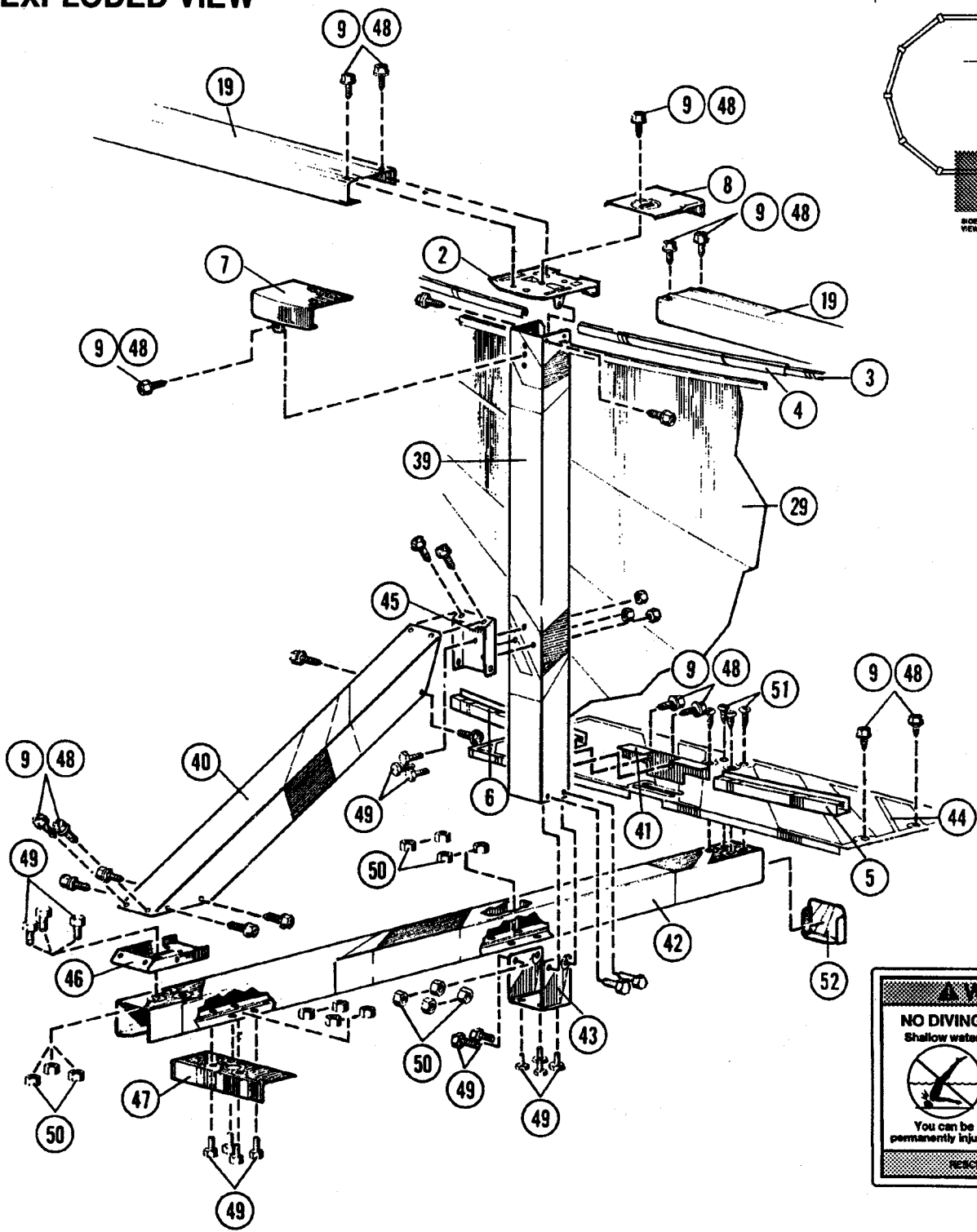
**Breckenridge /**

**Lonepine**

**Buttress Oval Pool**



# EXPLODED VIEW



**NO DIVING!**  
Shallow water.



You can be permanently injured.

# Breckenridge/Lonepine/Buttress Oval Pool—Parts List

ITEM #	DESCRIPTION	20' x 12' x 48"		24' x 12' x 48"		28' x 12' x 48"		32' x 12' x 48"	
		PART #	QTY.	PART #	QTY.	PART #	QTY.	PART #	QTY.
	<b>ASSEMBLY PACK</b>	0-9902-402	1	0-9942-402	1	0-9910-402	1	0-9922-402	1
1.	Plastic Coping, 24"	545-1001	28	545-1001	31	545-1001	35	545-1001	39
2.	Vertical End Cap	580-1594	24	580-1594	26	580-1594	28	580-1594	30
3.	Stabilizer Rail, small dia.	583-1012	8	583-1012	8	583-1012	8	583-1012	8
4.	Stabilizer Rail, large dia.	583-1011	10	583-1011	12	583-1011	14	583-1011	16
5.	Bottom Rail (Stamped 12)	589-1046	12	589-1046	12	589-1046	12	589-1046	12
6.	Bottom Rail, side (Stamped S)	589-1052	2	589-1052	4	589-1052	6	589-1052	8
7.	4" Outer Connector	580-1660	14	580-1660	16	580-1660	18	580-1660	20
8.	Inner Connector	5186-1194	14	5186-1194	16	5186-1194	18	5186-1194	20
*9.	Sheet Metal Screw #10 x 3/8" Hexwasher Head, Type AB	510-1000	100	510-1000	100	510-1000	100	510-1000	100
10.	Pool Parts List	573-2653	1	573-2653	1	573-2653	1	573-2653	1
11.	Pool Installation Instructions	573-2655	1	573-2655	1	573-2655	1	573-2655	1
12.	"Read Me First" Booklet	573-2417	1	573-2417	1	573-2417	1	573-2417	1
13.	"Enjoy Your Pool" Booklet	573-2124	1	573-2124	1	573-2124	1	573-2124	1
14.	"Safety First" Booklet	573-2583	1	573-2583	1	573-2583	1	573-2583	1
15.	"Children Aren't . . ." Brochure	573-2338	1	573-2338	1	573-2338	1	573-2338	1
16.	"Pool & Spa . . ." Brochure	573-2393	1	573-2393	1	573-2393	1	573-2393	1
17.	Warranty Card - Metal	—	1	—	1	—	1	—	1
18.	Product Registration Card	565-1117	1	565-1117	1	565-1117	1	565-1117	1
	<b>TOP RAIL PACK</b>	0-9841-402	1	0-9861-402	1	0-9881-402	1	0-9801-402	2
19.	Top Rail	587-1215	14	587-1215	16	587-1215	18	587-1215	20
	<b>VERTICAL PACK</b>	0-9710-402	1	0-9710-402	1	0-9710-402	1	0-9710-402	1
20.	Vertical	580-1661	10	580-1661	10	580-1661	10	580-1661	10
	<b>POOL LINER CARTON</b>								
***21.	Pool Liner	0-2012-_____	1	0-2412-_____	1	0-2812-_____	1	0-3212-_____	1
22.	Chlorine/Winterizing Instructions	573-2421	1	573-2421	1	573-2421	1	573-2421	1
23.	"Warning" Decal	560-1041	3	560-1041	3	560-1041	3	560-1041	3
24.	Warranty Card - Liner	—	1	—	1	—	1	—	1
**25.	Repair Patch	564-1000	1	564-1000	1	564-1000	1	564-1000	1
26.	"Deeper Area" Decal	560-1042	2	560-1042	2	560-1042	2	560-1042	2
27.	"Shallow" Decal	560-1043	3	560-1043	3	560-1043	3	560-1043	3
28.	"Read Me First" Booklet	573-2417	1	573-2417	1	573-2417	1	573-2417	1
	<b>SIDEWALL CARTON</b>								
29.	Sidewall - Breckenridge	0-0108-002	1	0-0108-042	1	0-0108-010	1	0-0108-022	2
	Sidewall - Lonepine	0-0408-002	1	0-0408-042	1	0-0408-010	1	0-0408-022	2
30.	Joint Piece	580-1002	1	580-1002	1	580-1002	1	580-1002	2
31.	Large Cover Plate - Breckenridge	580-1668	1	580-1668	1	580-1668	1	580-1668	2
	Large Cover Plate - Lonepine	580-1734	1	580-1734	1	580-1734	1	580-1734	2
32.	Small Cover Plate - Breckenridge	580-1667	1	580-1667	1	580-1667	1	580-1667	2
	Small Cover Plate - Lonepine	580-1733	1	580-1733	1	580-1733	1	580-1733	2
33.	Warranty Card - Metal	—	1	—	1	—	1	—	2
34.	"Warning" Sign	560-1046	1	560-1046	1	560-1046	1	560-1046	2
35.	"Read Me First" Booklet	573-2417	1	573-2417	1	573-2417	1	573-2417	2
36.	Black Marking Pen	332-1079	1	332-1079	1	332-1079	1	332-1079	2
37.	Adhesive Squares	310-1034	6	310-1034	6	310-1034	6	310-1034	12
38.	Safety Video	573-2500	1	573-2500	1	573-2500	1	573-2500	2
	<b>SUPPORT PACK 4 — CARTON</b>	0-8888-080	1			0-8888-080	2	0-8888-080	1
	<b>SUPPORT PACK 6 — CARTON</b>			0-8888-081	1			0-8888-081	1
39.	Side Vertical	580-1664	4	580-1664	6	580-1664	8	580-1664	10
40.	Vertical Brace	580-1665	4	580-1665	6	580-1665	8	580-1665	10
41.	Bottom Rail Connector	580-1593	4	580-1593	6	580-1593	8	580-1593	10
42.	Horizontal Support	580-1275	4	580-1275	6	580-1275	8	580-1275	10
43.	Support Bracket	580-1136	4	580-1136	6	580-1136	8	580-1136	10
44.	Pressure Pad	580-1273	4	580-1273	6	580-1273	8	580-1273	10
45.	Brace, Connector — short	580-1666	4	580-1666	6	580-1666	8	580-1666	10
46.	Brace, Connector — long	580-1051	4	580-1051	6	580-1051	8	580-1051	10
47.	Skid Plate	580-1063	4	580-1063	6	580-1063	8	580-1063	10
*48.	Sheet Metal Screw, #10 x 3/8", Type AB	510-1000	92	510-1000	138	510-1000	184	510-1000	230
*49.	High Strength Bolt 1/4"-20 x 1/2", hex head	510-1018	72	510-1018	108	510-1018	144	510-1018	180
*50.	Hex Nut, 1/4"-20	511-1000	72	511-1000	108	511-1000	144	511-1000	180
*51.	Hex Washered/Sheet Metal Screw, #12 x 3/4"	510-1035	16	510-1035	24	510-1035	32	510-1035	40
52.	Horizontal End Cap	580-1412	4	580-1412	6	580-1412	8	580-1412	10

\*Screws are available in most hardware stores.

\*\*For additional patch kits order Part No. 0-5604-000.

\*\*\*Write the number of your liner in the spaces provided here and above. # \_\_\_\_\_

2653