



"the original portable pool"

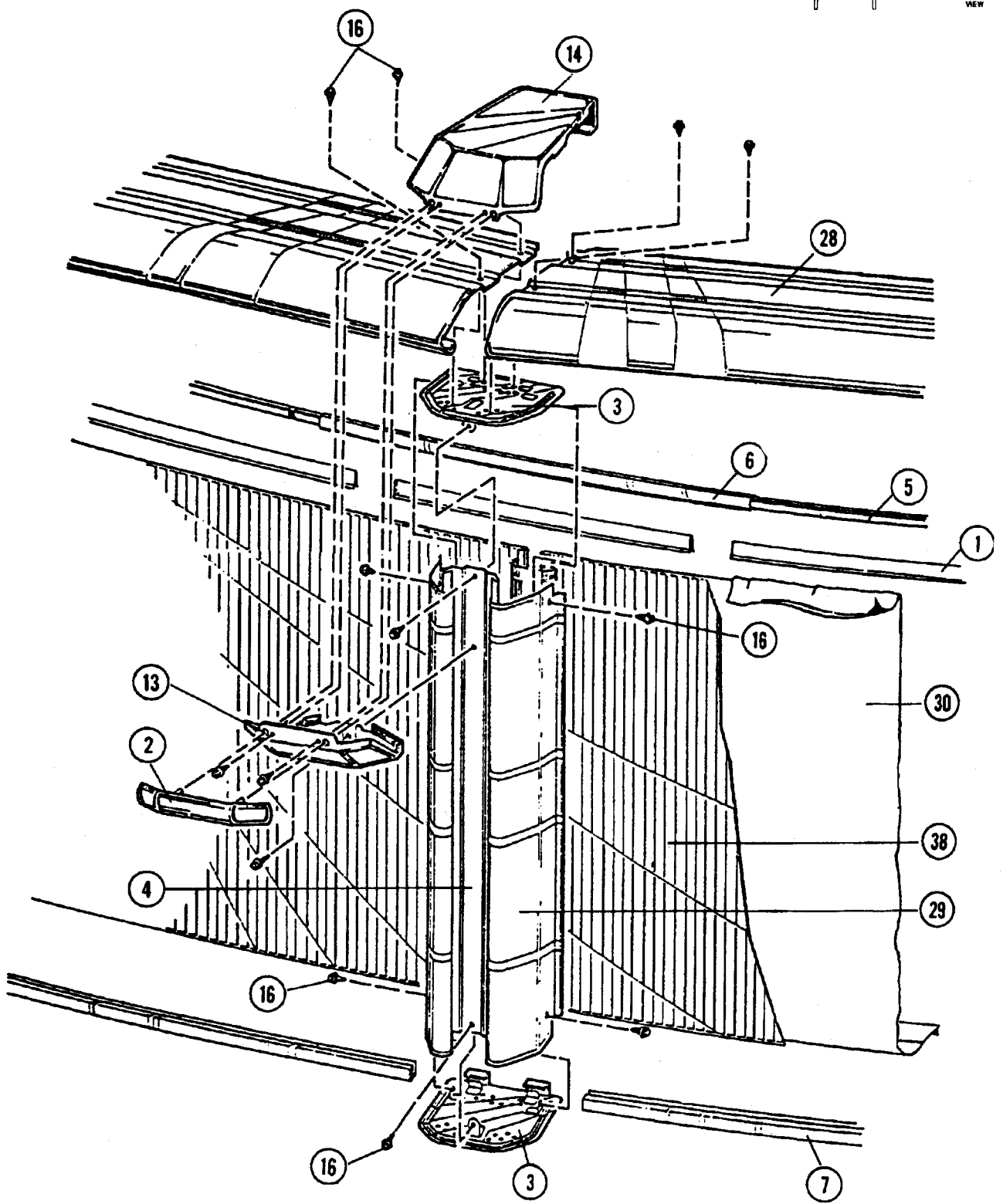
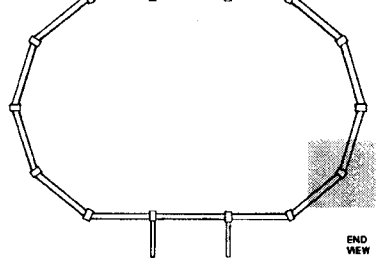
**doughboy<sup>®</sup>**

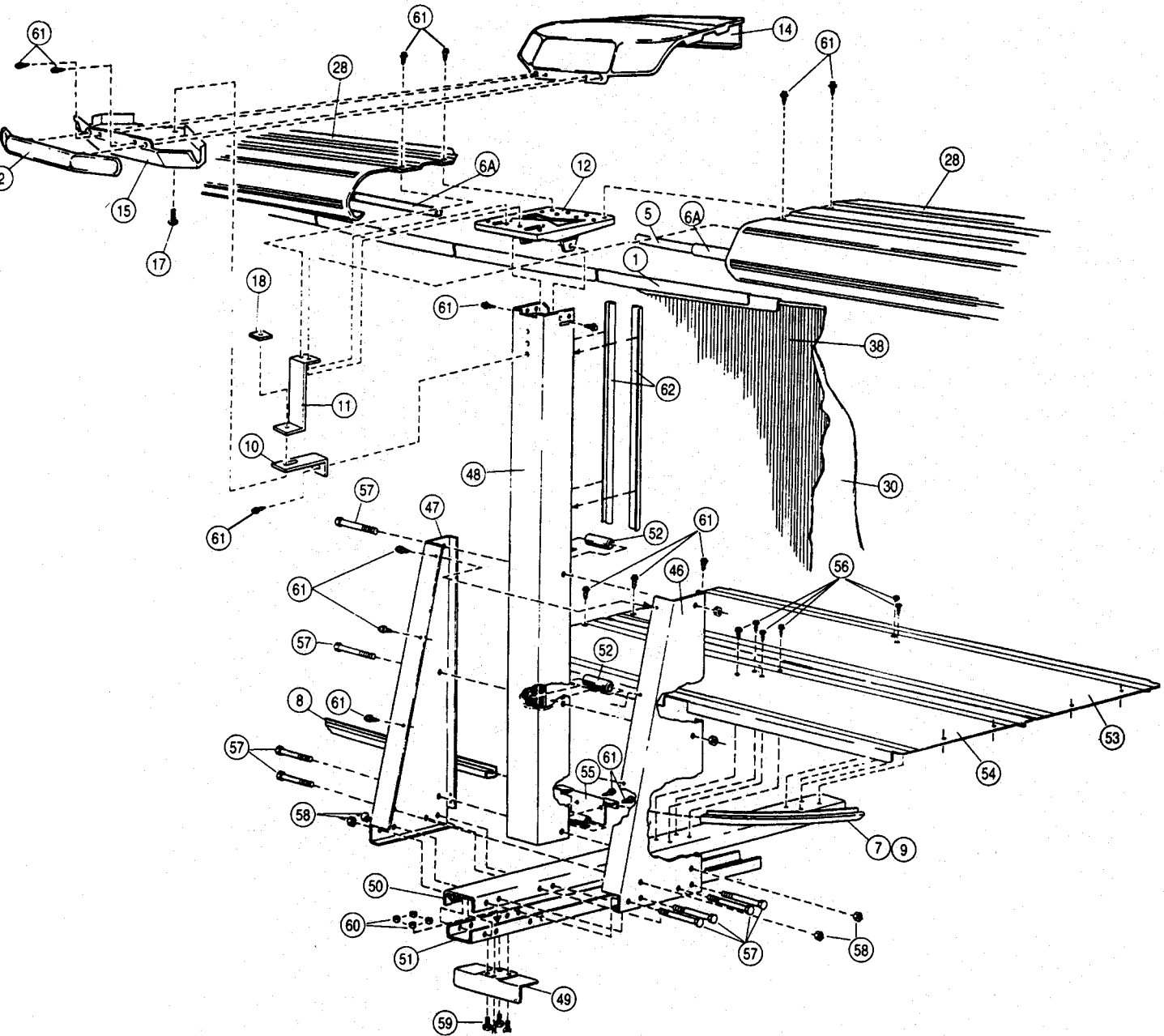
**Blue Glacier**

**Oval Pool**

---

---





# Blue Glacier Oval Pool — Parts List

ITEM #	DESCRIPTION	24' x 16' x 48"		28' x 16' x 48"		32' x 16' x 48"		34' x 18' x 48"		38' x 18' x 48"		41' x 21' x 48"	
		PART #	QTY.	PART #	QTY.	PART #	QTY.	PART #	QTY.	PART #	QTY.	PART #	QTY.
	<b>ASSEMBLY PACK</b>	0-9946-904	1	0-9986-904	1	0-9926-904	1	0-9948-904	1	0-9988-904	1	0-9911-904	1
1.	Plastic Coping, 24"	545-1001	36	545-1001	40	545-1001	44	545-1001	46	545-1001	50	545-1001	55
†2.	Connector Decor Strip	340-1780	17	340-1780	19	340-1780	21	340-1780	23	340-1780	25	340-1780	27
3.	Vertical End Cap	580-1587	24	580-1587	24	580-1587	24	580-1587	28	580-1587	28	580-1587	32
4.	Vertical Center Section	580-1583	12	580-1583	12	580-1583	12	580-1583	14	580-1583	14	580-1583	16
5.	Stabilizer Rail, small dia.	583-1012	10	583-1012	10	583-1012	10	583-1012	10	583-1012	10	583-1004	12
6.	Stabilizer Rail, large dia.											583-1005	10
**6A.	Stabilizer Rail, large dia.	583-1011	10	583-1011	12	583-1011	14	583-1011	16	583-1011	18	583-1011	8
7.	Bottom Rail (Stamped 16, 18 or 21)	589-1047	10	589-1047	10	589-1047	10	589-1048	16	589-1048	16	589-1049	14
8.	Side Rail (Stamped S)	589-1052	2	589-1052	4	589-1052	6	589-1052	6	589-1052	8	589-1052	8
9.	Transition Rail (Stamped TR)	589-1053	4	589-1053	4	589-1053	4					589-1053	4
10.	Outer Connector Bracket	580-1629	4	580-1629	6	580-1629	8	580-1629	8	580-1629	10	580-1629	10
11.	Connector Support Bracket	580-1654	4	580-1654	6	580-1654	8	580-1654	8	580-1654	10	580-1654	10
12.	Side Vertical Cap	580-1887	4	580-1887	6	580-1887	8	580-1887	8	580-1887	10	580-1887	10
13.	Connector Skirt, Vertical	580-1591	12	580-1591	12	580-1591	12	580-1591	14	580-1591	14	580-1591	16
14.	Top Connector	5186-1192	16	5186-1192	18	5186-1192	20	5186-1192	22	5186-1192	24	5186-1192	26
15.	Connector, Skirt, Buttress	580-1603	4	580-1603	6	580-1603	8	580-1603	8	580-1603	10	580-1603	10
*16.	Sheet Metal Screw, # 10x3/8" Type AB	510-1000	192	510-1000	210	510-1000	228	510-1000	258	510-1000	276	510-1000	298
*17.	Machine Screw, # 10-24 x 1/2" pan head	510-1008	4	510-1008	6	510-1008	8	510-1008	8	510-1008	10	510-1008	10
*18.	Square Nut, # 10-24	321-1025	4	321-1025	6	321-1025	8	321-1025	8	321-1025	10	321-1025	10
19.	Pool Parts List	573-2831	1	573-2831	1	573-2831	1	573-2831	1	573-2831	1	573-2831	1
20.	Pool Installation Instructions	573-2829	1	573-2829	1	573-2829	1	573-2829	1	573-2829	1	573-2829	1
21.	"Read Me First" Booklet	573-2777	1	573-2777	1	573-2777	1	573-2777	1	573-2777	1	573-2777	1
22.	"Enjoy Your Pool" Booklet	573-2743	1	573-2743	1	573-2743	1	573-2743	1	573-2743	1	573-2743	1
23.	"Safety First" Booklet	573-2778	1	573-2778	1	573-2778	1	573-2778	1	573-2778	1	573-2778	1
24.	"Children Aren't ..." Booklet	573-2338	1	573-2338	1	573-2338	1	573-2338	1	573-2338	1	573-2338	1
25.	"Pool & Spa ..." Booklet	573-2393	1	573-2393	1	573-2393	1	573-2393	1	573-2393	1	573-2393	1
26.	Warranty Card	—	—	—	—	—	—	—	—	—	—	—	—
27.	Product Registration Card	565-1117	1	565-1117	1	565-1117	1	565-1117	1	565-1117	1	565-1117	1
	<b>TOP RAIL PACK</b>	0-9816-900	1	0-9809-900	2	0-9810-900	2	0-9810-900	1	0-9812-900	2	0-9812-900	1
28.	Top Rail	587-1189	16	587-1189	18	587-1189	20	587-1189	22	587-1189	24	587-1189	26
	<b>VERTICAL CARTON</b>	0-9712-900	1	0-9712-900	1	0-9712-900	1	0-9714-900	1	0-9714-900	1	0-9716-900	1
29.	Vertical Side Section	580-1585	24	580-1585	24	580-1585	24	580-1585	28	580-1585	28	580-1585	32
	<b>POOL LINER CARTON</b>												
***30.	Pool Liner	0-2416-__	1	0-2816-__	1	0-3216-__	1	0-3418-__	1	0-3818-__	1	0-4121-__	1
31.	Chionne/Winterizing Instructions	573-2421	1	573-2421	1	573-2421	1	573-2421	1	573-2421	1	573-2421	1
31A.	Installation Instruction Insert	369-1145	1	369-1145	1	369-1145	1	369-1145	1	369-1145	1	369-1145	1
32.	"Warning" Decal	560-1041	3	560-1041	3	560-1041	3	560-1041	3	560-1041	3	560-1041	3
33.	Warranty Card - Liner	—	—	—	—	—	—	—	—	—	—	—	—
**34.	Repair Patch	564-1000	1	564-1000	1	564-1000	1	564-1000	1	564-1000	1	564-1000	1
35.	"Deeper Area" Decal	560-1042	2	560-1042	2	560-1042	2	560-1042	2	560-1042	2	560-1042	2
36.	"Shallow" Decal	560-1043	3	560-1043	3	560-1043	3	560-1043	3	560-1043	3	560-1043	3
37.	"Read Me First" Booklet	573-2777	1	573-2777	1	573-2777	1	573-2777	1	573-2777	1	573-2777	1
	<b>SIDEWALL CARTON</b>												
38.	Sidewall	0-0808-046	1	0-0808-086	1	0-0808-026	2	0-0808-048	2	0-0808-088	2	0-0808-011	2
39.	Joint Piece	580-1002	1	580-1002	1	580-1002	2	580-1002	2	580-1002	2	580-1002	2
40.	Large Cover Plate	—	—	—	—	580-1900	2	580-1900	2	580-1900	2	580-1900	2
41.	Small Cover Plate	—	—	—	—	580-1899	2	580-1899	2	580-1899	2	580-1899	2
42.	"Warning" Sign	560-1046	1	560-1046	1	560-1046	2	560-1046	2	560-1046	2	560-1046	2
43.	"Read Me First" Booklet	573-2777	1	573-2777	1	573-2777	2	573-2777	2	573-2777	2	573-2777	2
44.	Adhesive Squares	310-1034	6	310-1034	6	310-1034	12	310-1034	12	310-1034	12	310-1034	12
45.	Safety Video	573-2500	1	573-2500	1	573-2500	2	573-2500	2	573-2500	2	573-2500	2
	<b>SUPPORT PACK 2 — CARTON</b>			0-8888-072	1					0-8888-072	1	0-8888-072	1
	<b>SUPPORT PACK 4 — CARTON</b>	0-8888-074	1	0-8888-074	1	0-8888-074	2	0-8888-074	2	0-8888-074	2	0-8888-074	2
46.	Vertical Brace - Right	580-1836	4	580-1836	6	580-1836	8	580-1836	8	580-1836	10	580-1836	10
47.	Vertical Brace - Left	580-1838	4	580-1838	6	580-1838	8	580-1838	8	580-1838	10	580-1838	10
48.	Support Vertical	580-1850	4	580-1850	6	580-1850	8	580-1850	8	580-1850	10	580-1850	10
49.	Skid Support	580-1779	4	580-1779	6	580-1779	8	580-1779	8	580-1779	10	580-1779	10
50.	Ground Support - Top	580-1851	4	580-1851	6	580-1851	8	580-1851	8	580-1851	10	580-1851	10
51.	Ground Support - Bottom	580-1852	4	580-1852	6	580-1852	8	580-1852	8	580-1852	10	580-1852	10
52.	Vertical Spacer	341-1257	12	341-1257	18	341-1257	24	341-1257	24	341-1257	30	341-1257	30
53.	Pressure Pad - Outside	580-1869	4	580-1869	6	580-1869	8	580-1869	8	580-1869	10	580-1869	10
54.	Pressure Pad - Side Vertical	580-1870	4	580-1870	6	580-1870	8	580-1870	8	580-1870	10	580-1870	10
55.	Bottom Rail Locator	580-1792	4	580-1792	6	580-1792	8	580-1792	8	580-1792	10	580-1792	10
*56.	Sheet Metal Screw, No. 12 x 3/4"	510-1035	24	510-1035	36	510-1035	48	510-1035	48	510-1035	60	510-1035	60
*57.	Hex Head Bolt, 3/8 - 16 x 3-1/2"	330-1220	32	330-1220	48	330-1220	64	330-1220	64	330-1220	80	330-1220	80
*58.	Hex Nut, 3/8 16	321-1069	32	321-1069	48	321-1069	64	321-1069	64	321-1069	80	321-1069	80
*59.	Hex Head Screw, 1/4 - 20 x 1/2"	510-1018	16	510-1018	24	510-1018	32	510-1018	32	510-1018	40	510-1018	40
60.	Hex Nut 1/4 - 20	511-1000	16	511-1000	24	511-1000	32	511-1000	32	511-1000	40	511-1000	40
61.	Sheet Metal Screw, No. 10 x 3/8"	510-1000	36	510-1000	54	510-1000	72	510-1000	72	510-1000	90	510-1000	90
62.	Side Vertical Shim	341-1274	8	341-1274	12	341-1274	16	341-1274	16	341-1274	20	341-1274	20

\*Screws are available in most hardware stores.

\*\*For additional patch kits order Part No. 0-5604-000.

\*\*\*These stabilizers are 43 1/4" long and are used on sides, between the buttresses. Use all remaining small and large diameter rails on the ends of the pool.

\*\*\*\*Write the number of your liner in the spaces provided here and above. #