

# POOL ASSEMBLY AND INSTALLATION INSTRUCTIONS

## OVAL POOLS

**THINK "SAFETY FIRST"**  
Safe and correct use of your new Doughboy pool means swimming and wading only. DO NOT DIVE OR JUMP!  
The above-ground pool is not designed for these activities!

**INSTALLATION**  
Installation of a Doughboy pool is not very hard, but it is a big job. The job will be easier if two or three friends help with the installation. Follow all instructions exactly. Your pool warranty is void if pool assembly and installation instructions are not followed 100%. Read all instructions provided with accessories such as filter, pump, skimmer, etc. prior to starting. Plan 3-5 days for pool assembly and installation. Avoid windy days. Before you start, check to see that you have the correct number of parts. Use your Parts List, which is broken down by carton. Do not throw away any of the inspection slips or cartons until you are sure you have all the parts. Your dealer will promptly replace any missing parts.  
The warranty is void if the design of the pool is altered in any way. No changes may be made to any of the parts. The pool must be assembled according to Doughboy's instructions. You must be completely satisfied with the completed pool installation, whether self-installed or professionally installed, before proceeding with additional landscaping.

**CONTRACT INSTALLATION**  
Doughboy Recreational is in no way affiliated with any professional pool installer. Therefore, Doughboy can assume no responsibility for errors in installation by the homeowner or said professional installer. If you have the pool installed by others, please supervise to be sure they comply with proper installation techniques as shown.

**LOCAL CODES**  
Check to see if building permits or utility clearances are required. (For example - National BOCA Code requires the pool to be a minimum of six feet from the property line and a minimum of ten feet from the street). Obey all safety codes for fencing and all electrical codes.

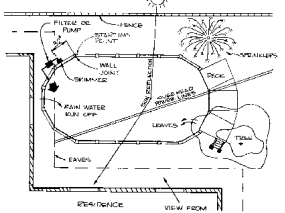
**SPECIAL CARE**  
Doughboy pools are designed to exceed industry recommended safety factors. However, special care must be taken with certain installation procedures that the installer performs and controls.

- 1) **Framework must be level** - Referring to "Installation Cautions" shown at right, six pool installations illustrate improper methods of installation or errors during the leveling of the ground (Step 2) or positioning of the patio blocks (Step 10). The entire pool framework must sit on flat (level) ground. An out-of-level condition will produce stresses in the pool structure and/or deformities in the wall that could cause pool wall failure.
- 2) **Wall joint and joint piece** - This is where the wall joints together. Damage to the wall joint or joint piece reduces the safety factor and can result in a weak installation. Follow instructions using extreme care.
- 3) **Cove** - The cove keeps the liner from creeping out from under the pool wall. Follow instructions to the letter. Don't short-cut or substitute materials. Do not use materials that will shift. Improperly installed pools can rupture, allowing thousands of gallons of water to rush out and cause extensive property damage and personal injury.
- 4) **Set up pool on soil surface**. Doughboy pools are not designed to be installed below-grade (buried) using these instructions. Outside ground forces can collapse the pool wall. For approved Below-Grade Installation Instructions, see your Doughboy dealer.
- 5) **External Support** - The excavation and use of 8" x 8" x 16" concrete blocks (Steps 5-8) to reinforce the side supports is a critical structural detail which cannot be varied from instruction. These blocks and the firm undisturbed soil around them become the load bearing components for the forces on the pool sides. DO NOT substitute other building materials for the concrete blocks.

**HOW TO USE THESE INSTRUCTIONS**  
These installation instructions are used in conjunction with your pool parts list for identifying parts as referred to in each step. Your pool can be excavated for a deep swimming area if the liner carton is labeled 20 Mil. or 25 Mil. expandable (see Step 3).

**PRELIMINARY PLANNING**  
**IMPORTANT!** Before beginning your pool installation, take a few minutes to consider the following points:

1. Check wall clearances to allow enough working area for your pool installation.
2. Check for easements.
3. Avoid trees and roots; do not allow leaves to fall into the pool.
4. Avoid overhead power lines.
5. Avoid underground piping and cables.
6. Keep sprinklers away from pool sides.
7. Select a pool site that allows for the proper supervision of swimmers as well as viewing children near the pool.
8. Position the pump and filter near convenient electrical outlets.
9. Avoid overhanging eaves to prevent water and debris runoff from your roof.
10. Allow 12 inches of undisturbed soil around your pool (clearance radius).
11. No sudden slopes within 6 feet of your pool.
12. Do not install your pool on any abrasive area such as concrete, asphalt, peat moss, tar paper, gravel, wood, top of grass or on soil which has recently undergone petroleum based chemical treatments.
13. Treat the ground inside the pool area with a non-petroleum based fungicide (available at garden supply shops). This may help prevent fungus stains on the liner. Consult your Doughboy pool dealer.
14. Do not install liner on nut grass or Bermuda grass. See your dealer for special instructions.
15. Rid pool area of burrowing pests and insects such as gophers and termites.
16. Avoid windy days during installation.
17. Have 2 or 3 helpers to assist you during pool assembly.

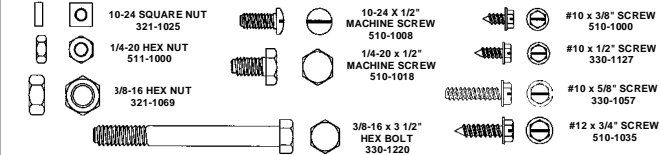


- Tools Required
- 2 Carpenters level (Transit recommended)
  - Hammer
  - Flat end shovel
  - 5/16" Hex nut driver
  - 25' Tape measure
  - Garden rake
  - Tamping tool
  - Roller (if available)
  - Screwdriver, flat end (Large)
  - 3 Garden hoses (Fill pool)
  - Two 7/16" wrenches
  - Two 9/16" wrenches
  - Flat tip marking pen
  - Carpenters saw
  - String screen (To remove 1/8" pebbles and larger)
  - Sharp knife or single edge razor blade
  - Pliers
  - Drill/Bit (See Step 2)
  - Small paint applicator (Q-Tip or brush)

- TOOLS AND MATERIALS REQUIRED**
- Materials Needed -**
- Nails - 2 1/2" Long (1 Doz.)
  - 12" x 12" x 2" patio blocks (Optional)
  - 12 req'd for 20' x 12'
  - 12 req'd for 24' x 12'
  - 12 req'd for 28' x 12'
  - 12 req'd for 24' x 16'
  - 12 req'd for 28' x 16'
  - 12 req'd for 24' x 21'
  - 8" x 8" x 16" concrete blocks
  - 4 each for 20' x 12'
  - 4 each for 24' x 12'
  - 6 each for 24' x 16'
  - 6 each for 28' x 16'
  - 8 each for 28' x 12'
  - 8 each for 32' x 16'
  - 8 each for 34' x 18'
  - 10 each for 38' x 18'
  - 10 each for 41' x 21'
  - Quick Set Cement (60 lb. Bags)
  - 2 (dry weight) for 20' x 12'
  - 2 (dry weight) for 24' x 16'
  - 3 (dry weight) for 24' x 12'
  - 3 (dry weight) for 28' x 12'
  - 4 (dry weight) for 32' x 16'
  - 4 (dry weight) for 34' x 18'
  - 5 (dry weight) for 38' x 18'
  - 5 (dry weight) for 41' x 21'
  - Ball of heavy string
  - Binder clips - 1 1/4" - 2" size
  - (Available at stationary supply stores)
  - Two 7/16" wrenches
  - Two 9/16" wrenches
  - Flat tip marking pen
  - Carpenters saw
  - String screen (To remove 1/8" pebbles and larger)
  - Sharp knife or single edge razor blade
  - Pliers
  - Drill/Bit (See Step 2)
  - Small paint applicator (Q-Tip or brush)

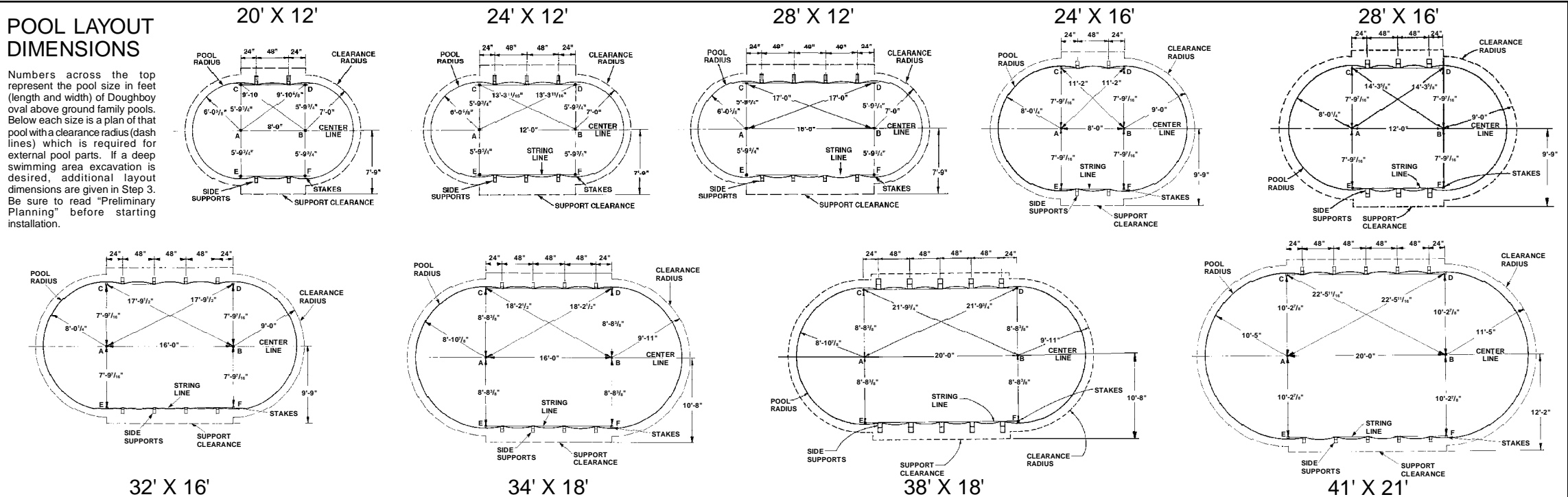
### POOL FASTENER IDENTIFICATION

Your pool assembly may not require all the fasteners shown below. Refer to your Pool Parts list for the fasteners required to assemble your pool.

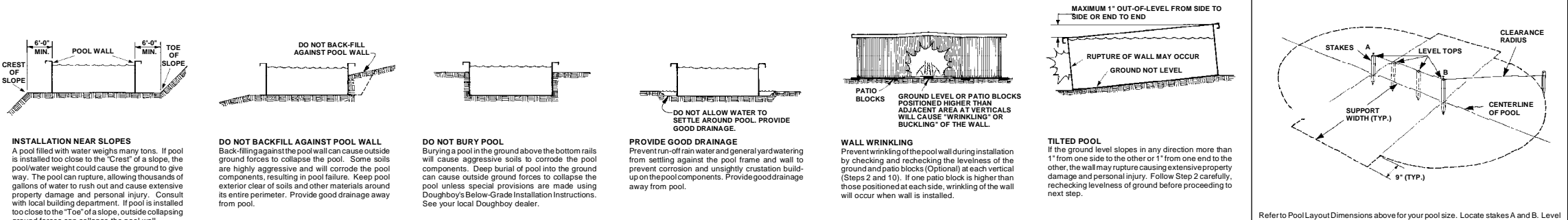


## POOL LAYOUT DIMENSIONS

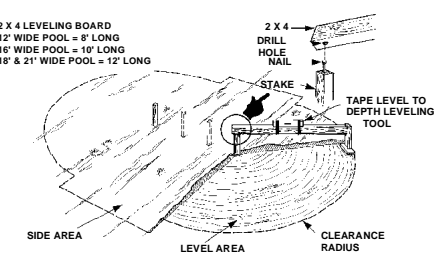
Numbers across the top represent the pool size in feet (length and width) of Doughboy oval above ground family pools. Below each size is a plan of that pool with a clearance radius (dash lines) which is required for external pool parts. If a deep swimming area excavation is desired, additional layout dimensions are given in Step 3. Be sure to read "Preliminary Planning" before starting installation.



## INSTALLATION CAUTIONS

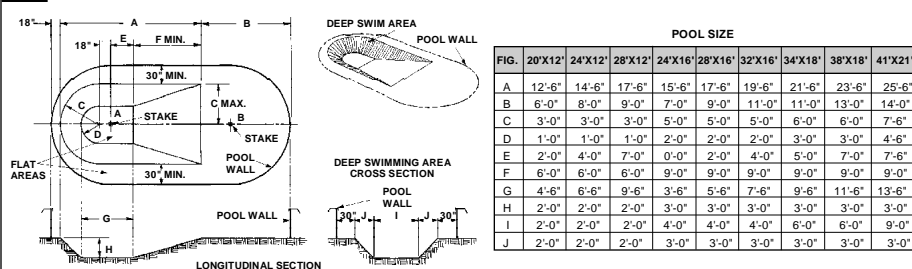


## GROUND LEVELING



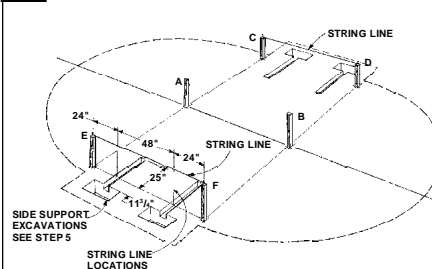
With a shovel and the constructed depth leveling tool shown above, remove sod and level pool area. Level to the lowest spot within pool area. Level side areas to main pool area. Remove high points - do not fill in low spots. Ground must always be firm. Be sure pool area is free of stones, sticks, roots and other objects that could puncture liner. Remember: The entire assembled pool framework must sit on flat ground within 1 inch level at opposite sides. Spend additional time now to avoid disassembly later.

## 3 OPTIONAL SPECIAL PURPOSE DEEP SWIMMING AREA ONLY



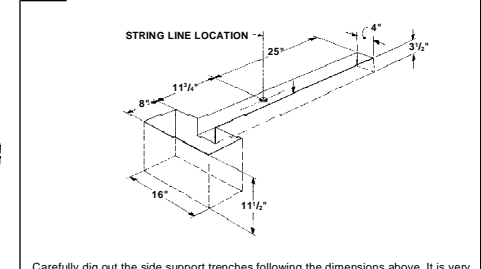
**ONLY 20 MIL. LINERS OR THICKER** - You may decide to excavate a deep swimming area as shown above. The Deep Swimming Area is for underwater swimming only. NO DIVING, NO JUMPING. To excavate the deep swimming area, use the layout illustrations above, along with the measurements from the chart for your size pool. Using either stake 'A' or 'B' as your reference point, lay out and excavate area to the dimensions shown in the above chart for your size pool. Remember: DO NOT DIVE OR JUMP into the pool. The excavation is intended to provide a deeper and wider swimming area only.

## 4 STAKES AND STRING LINES



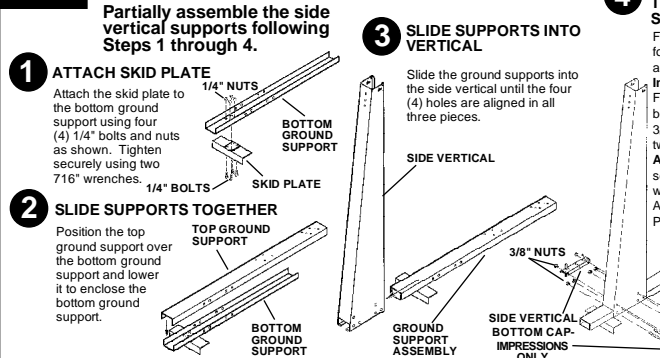
Locate Stakes C, D, E and F from your pool layout. Attach strings between C and D, then E and F. The first side support excavation is positioned 24" from the center of either stake to the center of the excavation. Other side support excavations are 48" center to center.

## 5 SIDE SUPPORT EXCAVATIONS

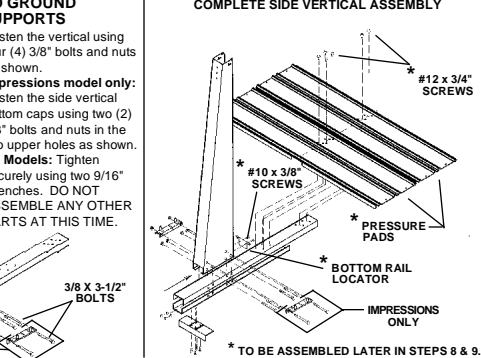


Carefully dig out the side support trenches following the dimensions above. It is very important that the trench walls remain firm and undisturbed during and after excavation. DO NOT over-excavate with the thought of back-filling later because the side supports will move when pool is filled, and pool failure may result. When digging is completed, proceed to FIG. A and partially assemble the side vertical supports.

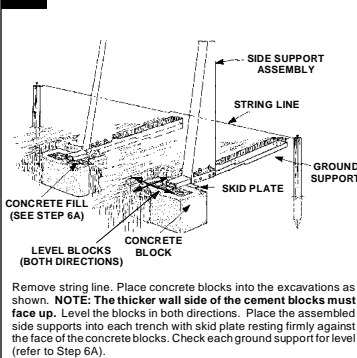
## FIG. A EXPLODED SIDE SECTION



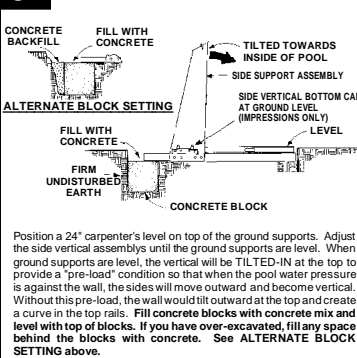
## 4 FASTEN VERTICAL TO GROUND SUPPORTS



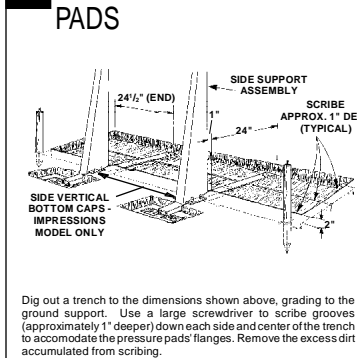
## 6 INSTALL CONCRETE BLOCKS



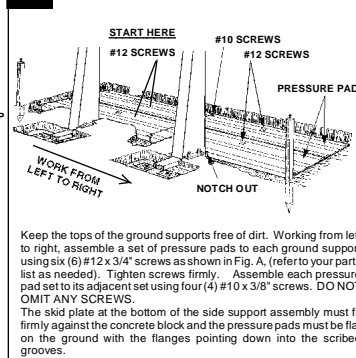
## 6A INSTALL CONCRETE BLOCKS



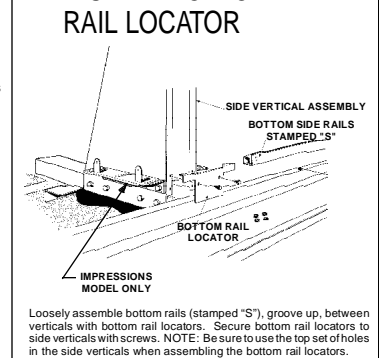
## 7 DIG OUT FOR PRESSURE PADS



## 8 INSTALL PRESSURE PADS



## INSTALL BOTTOM RAIL LOCATOR



### 10 INSTALL BOTTOM RAILS

**FOR 16' & 21' WIDE POOLS ONLY: THESE ARE TRANSITION RAILS STAMPED 'TR' (FOUR TOTAL)**

Begin ends of framework by installing the four rails to the outside of the end side verticals on 16' and 21' wide pools. These rails are stamped "TR". Complete ends by sliding bottom rails (groove up) into vertical end caps. Confirm levelness of installation by placing level on top of bottom rails. Check around the oval to be sure ground is flat and within 1 inch of level at opposite sides and ends of pool.

**Patio Block Installation (optional but recommended):** Center 12" x 12" x 2" patio blocks under vertical end caps around ends of pool and mark their positions with a stick. Move bottom

### 11 INSTALL WALL

Determine starting point of wall from PRELIMINARY PLANNING. The skimmer opening will be at the inside end of the wall cap. For improved skimmer operation, position skimmer knockout downward of prevailing winds. Always start wall at center of a vertical end cap. Move the wall cart on near the chosen starting point and remove the pool wall from its cart. To remove the wall, stand the cart upright (arrow up on cart), and use a boxcutter to cut the bottom from the cart. Lift the box from the pool wall. Check that the "UP" arrow on the pool wall is pointing up. CAUTION: Keep hands and feet from under wall during installation. Uncurl about 6 to 10 feet of wall and insert bottom edge into groove in bottom rails. To help stabilize the wall, place stabilizer rails on top edge of pool wall, working around top of pool as wall is inserted into bottom rails. Telescope small diameter rail into large diameter rail about 6 inches. Secure stabilizer rails to wall with duct tape between vertical end caps. NOTE: The stabilizer rails telescope only on the ends of the pool. Use only the large diameter stabilizer rails between the side supports (these do not telescope).

### 12 INSTALL WALL JOINT

Bring wall ends together in center of vertical end cap. Adjust all bottom rails in or out uniformly if wall ends do not meet. **DO NOT** make the total adjustments with one or two bottom rails. Remove stabilizer rails in the areas shown above. Move pool wall ends together inside the pool. Align formed hooks on wall ends and slide on joint piece(s) until the top is even with top of formed wall hooks. **WARNING: Do not hammer joint piece on! Damaged hooks or joint piece can lead to pool wall failure.** Manufacturer cannot assume responsibility for performance of this product if the joint piece has been improperly installed by forcing it on in any manner. If joint piece does not slide on easily, realign side wall hooks. Use ordinary dishwashing liquid for lubrication. When joint piece is in place, replace wall into bottom rails and reinstall stabilizer rails.

### 13 COAT OPENINGS

Matching pool wall cover plates are provided with pools that have two skimmer openings. Tape over the extra skimmer and return opening in the event you are only using one skimmer. Use a "Q-Tip" or cotton ball dipped in fast drying enamel to coat all bare metal edges of skimmer opening return opening and mounting holes. This coating protects edges against corrosion. DO NOT use fingers as sharp edges may cause serious cuts. Enamel must dry prior to installing liner to prevent damage to liner in contact with freshly painted surfaces.

### 14 INSTALL VERTICALS

Carefully follow the detail for your pool shown in either Figs. B, C, D, E, F, or G to assemble the verticals and vertical end caps to pool. Use all necessary hardware. Refer to your pool parts list.

### FIG. B EXPLODED END AND SIDE SECTIONS - 10-1/2" RESIN

**VERTICAL ASSEMBLY** - Slide each vertical center section down into the grooves of two vertical side sections until flush. Place the vertical assembly over bottom vertical end cap (or side vertical bottom cap for side verticals) with the four tabs extending up inside the "Honeycomb" section of both side sections, aligning with slots. **SIDE VERTICALS ONLY:** Leave approximately four inches of the center section extended above both side sections, aligning with slots. **ALL VERTICALS:** Push vertical assembly up against pool wall and secure with #10 x 3/8" screws through slots of side sections. **SIDE VERTICALS ONLY:** Push center section down flush with top. **ALL VERTICALS:** Insert fencing strip into slot of center section until flush with top (when installing optional fencing). Position top vertical end cap over stabilizer rails and secure with #10 x 3/8" screws through slots of side sections, aligning with slots. Push vertical assembly against pool wall and secure with #10 x 3/8" screws through slots of side sections. Check to make sure bottom rails are "in" against "Stops" on bottom vertical end cap. After completing Step 16, assemble the top connector by lowering it over the end cap and aligning its inside locating tab with hole in end cap. Push it down firmly into place over the top rails. Refer to your pool parts list and side 1 of this guide for parts identification.

\* Fencing strips packed with optional fencing.

### FIG. C

Three piece vertical assembly. Slide the center section (with two holes at top) down the grooves formed on each side section. Refer to your pool parts list and side 1 of this guide for parts identification.

### FIG. D

After completing Step 16, assemble the two piece top connector by lowering it over the end cap and aligning its inside locating tab with hole in end cap. Push it down firmly into place over the top rails. Refer to your pool parts list and side 1 of this guide for parts identification.

### FIG. E

Three piece vertical assembly. Slide the center section (with two holes at top) down the grooves formed on each side section. Refer to your pool parts list and side 1 of this guide for parts identification.

### FIG. F

Special Note: Hole in face of vertical must be up.

After completing Step 16, assemble the two piece top connector by lowering it over the end cap and aligning its inside locating tab with hole in end cap. Push it down firmly into place over the top rails. Refer to your pool parts list and side 1 of this guide for parts identification.

### FIG. G

Special Note: Hole in face of vertical must be up.

After completing Step 16, assemble the two piece top connector by lowering it over the end cap and aligning its inside locating tab with hole in end cap. Push it down firmly into place over the top rails. Refer to your pool parts list and side 1 of this guide for parts identification.

### 15 TOP RAIL JOINTS

**10-1/2" TOP RAILS**  
 • There is one common top rail for 16', 18' & 21' wide pools. 12' wide pools use two sizes of top rails.  
**8" & 8-1/2" TOP RAILS**  
 • 16', 18', and 21' wide pools use one common top rail.  
**6" TOP RAILS**  
 • 12' wide pools use two sizes of top rails. The longest top rails are used between the side vertical assemblies.  
**6" & 6-1/2" TOP RAILS**  
 • 12' wide pools use one common size top rail in 16' wide pools use two sizes of top rails. The shortest rails are used between the side verticals.  
**ALL POOLS**  
 There are four different joints where the top rails meet as shown above. Refer to Step 16 for the correct attachment locations.

### 16 INSTALL TOP RAILS

Each pool size has a specific hole pattern for mounting the top rails to the vertical end caps. Use the figure that matches your pool series, size, and the accompanying chart to locate the correct mounting holes.

**HELPFUL SUGGESTION:** Use a felt pen to mark the correct holes before you assemble the top rails to the vertical end caps. Use four #10 x 3/8" screws to attach the top rails to the end caps. Insert screws through the correct hole in the top rail and screw into the correct hole on the end cap. From the chart, select the correct holes (stamped on top rails and end caps). Hole area ① and ② are toward the pool, ③ and ④ toward outside the pool.

**EXAMPLE - 18" Wide Classic 8-1/2" Pool**  
 To attach the top rails to the end cap in joint "C" for hole area ①, insert screw through the hole in the top rail marked "12/16" and screw into hole "S1" in end cap. For hole area ②, insert screw through the hole in the top rail marked "C" and screw into hole "S1" in end cap. For hole area ③, insert screw through the hole in the top rail marked "12/16" and screw into "C1" in end cap. For hole area ④, insert screw through the hole in the top rail marked "C" and screw into "C1" in end cap.

HOLE CHART FOR 10-1/2" TOP RAIL POOLS												
POOL WIDTHS	JOINTS A, B, & C				JOINT D				JOINT E			
	12'	16'	18'	21'	12'	16'	18'	21'	12'	16'	18'	21'
10-1/2" Top Rail	C	C	C	C	C	C	C	C	C	C	C	C
10-1/2" End Cap	S	S	S	S	S	S	S	S	S	S	S	S
10-1/2" Top Rail	S1/2	S1/2	S1/2	S1/2	S1/2	S1/2	S1/2	S1/2	S1/2	S1/2	S1/2	S1/2
10-1/2" End Cap	S	S	S	S	S	S	S	S	S	S	S	S
10-1/2" Top Rail	S1/2	S1/2	S1/2	S1/2	S1/2	S1/2	S1/2	S1/2	S1/2	S1/2	S1/2	S1/2
10-1/2" End Cap	S	S	S	S	S	S	S	S	S	S	S	S

EXPLODED END SECTION - CLASSIC 8-1/2"

EXPLODED END SECTION - 8" RESIN

EXPLODED END SECTION - 6" & 7" FLARE

EXPLODED END SECTION - 6" STANDARD

EXPLODED END SECTION - 6-1/2" RESIN

### 16 cont' 10-1/2" Resin Top Rail Pools

### 8" Resin & 8 1/2" Classic Pools

### 6" Flare and 7" Flare Pools

### 6" Standard & 6-1/2" Flare Resin Pools

### 17 ATTACH TOP CONNECTORS

Attach all hardware and brackets and top connector as shown in detail of your pool. Refer to Figure B, C, D, E, F, or G.

### 18 CHECK WALL RADIUS

**Important Step:** At this time, fill in all excavations on outside of pool. Cover inside pressure pads and horizontal beams with approximately 3" of damp sifted earth; tamp and blend to bottom of pool. Check pool framework to assure level installation. Place the level on each top rail, working gradually around pool, to assure framework is on flat ground with opposite sides no more than 1 inch out of level. **Remember: Always remove dirt to adjust framework - never fill in!** Use level to check vertical position of verticals. Using Stake A as center point, measure from stake to pool wall to assure roundness of ends. Measure to the wall at each corner point and as you move over. Distance should be equal at all points. Follow same procedure using Stake B as center point for opposite end.

### 19 COVE

**Important Step:** The cove is a vital structural element that prevents water pressure from forcing the pool liner out under the bottom rail. The manufacturer will not assume responsibility should the cove be omitted. **EARTH COVE:** Use screened damp earth to form a cove around the inside base of pool wall. Shape and compact firmly. **PRE-FORMED:** Specifically designed pre-formed pool cove is available from your dealer. Follow cove manufacturer's instructions. **Recheck pool for roundness after installing cove.**

### 20 LINER SEAM POSITIONING

Remove all stakes. Check the pool floor (area inside bottom rail) for levelness. For excavated pools, check flatness of sloping areas with 2' x 4" board. Fill in all slight depressions with sifted earth and tamp. Remove all stones and sharp objects. Fill in all footprints on pool floor. **NOTE: If you intend to install an E-Z Clip Liner, follow the instructions packed with it at this time and disregard steps 21 through 25 on this sheet.** Place liner on top of top rail (at shallow end if excavated pool). The loose end should overhang outside of pool by about 12 inches. Hold end and unroll liner down middle of pool as you would a carpet. The center seam of the liner must be positioned at the center line of the pool for 12' and 21' wide pools. For 16' and 18' wide pools, position the center line section (not the seam) at the center line of the pool. For excavated pools, the center seam or center section of the liner must begin at the shallow end and run along the center line of the pool to the deep end. **NOTE:** The embossed side and/or the printed side of the liner will be the water side.

### 21 STRETCH LINER

Work in both directions from the point where the liner is overhanging. Unfold liner, drape over the top rail and down the sides ONLY approximately 24 inches. The liner should be 6" to 12" above the pool floor in the center. **IMPORTANT:** Remember that the center seam or center section of the liner must be positioned at the center line of the pool. The bottom edge seam of the liner should be inside the pool about 12 inches from the top rails. Correct any bunching or pleating conditions in the liner wall. Inspect liner for open seams. If any are found, return liner to dealer for prompt replacement.

With the liner in position, hold in place by attaching two binder clips over folded cardboard on the underside of each top rail. Carefully cover the end of a garden hose with a sock and tape securely as shown, place in the pool and begin to fill. As pool fills, the liner will stretch as the water begins to cover the bottom. At this time, check the sidewall for extreme tautness. **Binder clips do not self-release.** Any area that feels too tight should be relieved by releasing the binder clips and allowing the liner to feed back into the pool until the desired tautness is achieved. Re-clip binder clips before you proceed around the pool checking and re-clipping. Remember that you are monitoring a minimum tightness of liner over rail that will control the liner tension as the water is approaching and covering the cove area of the pool.

### 22 FILL POOL

With the liner in position, hold in place by attaching two binder clips over folded cardboard on the underside of each top rail. Carefully cover the end of a garden hose with a sock and tape securely as shown, place in the pool and begin to fill. As pool fills, the liner will stretch as the water begins to cover the bottom. At this time, check the sidewall for extreme tautness. **Binder clips do not self-release.** Any area that feels too tight should be relieved by releasing the binder clips and allowing the liner to feed back into the pool until the desired tautness is achieved. Re-clip binder clips before you proceed around the pool checking and re-clipping. Remember that you are monitoring a minimum tightness of liner over rail that will control the liner tension as the water is approaching and covering the cove area of the pool.

### 22 cont' FILL POOL

Be sure the liner is evenly distributed over the rail without any bunching or pleating. If this occurs, correct as you are adjusting the liner tension. To correct, grasp the liner wall nearest the wrinkled area. Pull and lift the liner wall just enough to stretch out wrinkles or pleats. It is easier if you wait until there is 1 to 2 inches of water over the wrinkled area before you try to remove it. This allows the weight of the water to hold the liner flat on the ground, keeping out wrinkles after you remove them. Pull any excess liner over the rail and reclaim in position so that a minimum tautness prevents further wrinkling. Double check around the pool so that you have an even tension on the liner wall down to the liner floor. Do not attempt to lift and pull the liner with more than 4 inches of water in the wrinkled area. Damage to the liner may occur when the water is approximately 6 inches up the metal wall and covering the cove, there should be just barely enough tension on the liner to control a wrinkle-free installation.

**Filling Deep Excavated Pools (stretch-in liners only):** It is important to remember that the floor of the liner (not the liner wall) must stretch into the excavated area. The bottom edge seam should be located in the cove area all the way around the pool when the pool is full of water. Stretch the liner properly or you will end up with the bottom edge seam somewhere on the bottom of the pool or not enough liner wall to go over the steel wall to complete the installation. When this happens, you may think you've received the wrong liner, when in fact the liner was properly stretched into place.

**Cleaning Liner:** If you decide to drain the pool to clean the liner, or for any other reason, you must leave at least 1 foot (12 inches) of water, measured from ground level up the metal sidewall, in the pool. Failure to comply with this warning may void the warranty.

**Liner Replacement:** If you decide to replace the liner, you must have the replacement liner at the pool site and ready for immediate installation. DO NOT leave the pool standing without a liner. Do not attempt to install the replacement liner on a windy day. Severe wind damage to your pool may result.

### 23 CONTINUE FILLING POOL

Continue filling pool. **Never allow liner to fall back into pool.** Water between the liner and wall can cause pool failure. When pool has approximately 24 inches of water, stop filling. Do not resume until Steps 24, 25 and 26 are completed. **CAUTION:** Do not cut any openings in liner at this time.

### 24 PROCEDURE TO ATTACH LINER

With the help of two or three people, raise and hold the liner up from any three top rail sections. Remove four top caps, three top rails, two vertical end caps and stabilizer rails. **REMEMBER, NEVER ALLOW LINER TO FALL BACK INTO POOL.**

### 25 INSTALL COPING AND STABILIZER RAILS

Make a return hem as illustrated. **DO NOT** cut off excess liner material as the liner will "slip" from under the plastic coping, causing liner to fall back into the pool. **Smooth liner against wall and secure to top of coping.** Alternately telescoping small diameter into large diameter about 6 inches as before. One large diameter stabilizer rail fits between each pair of side supports. They DO NOT telescope.

**NOTE:** At the skimmer and return openings only, the return hem must be cut away between the steel side wall and the liner side wall. (This will insure that there is only one thickness of liner material covering the skimmer and return openings to affect a positive gasket seal.) **DO NOT** CUT the liner side wall at any other location. Replace all parts removed in Step 24. Repeat same steps for entire pool perimeter, working just three top rail sections at a time. **DO NOT** allow liner to fall back into pool.

### 26 READ ME FIRST FOR POOL SAFETY BOOKLET • WARNINGS • LABELS • SIGNS

With pool completely assembled, install skimmer, filter, etc. using the instructions provided with those units. Finish filling pool to the correct level as indicated on your skimmer face plate.

Now that you have installed your new pool, Doughboy Recreational would like you to know we are very concerned about your family's safety, so we have provided an assortment of safety literature with your new pool, but it is also a big responsibility. Please take the time to read, and understand all the safety literature provided.

We have also provided you with an assortment of signs and decals. Safety decals and caution information provided with your pool have been endorsed by the U.S. Consumer Product Safety Commission. It is mandatory that the pool owner and installer follow the installation and use directions for all provided safety signs and decals. We have also provided you with a booklet titled "Read Me First for Pool Safety", which will give you a detailed description of where and how to apply your safety signs and decals. Remember, warnings only help if you put them on. Please help us protect the good health and safety of your family and friends! Read the "Read Me First for Pool Safety" booklet thoroughly and follow the directions in it. Don't forget to use a marking pen to write the number of a rescue agency on the signs and on the back of your "Read Me First" booklet.

If any of your safety literature, signs or decals become lost or damaged, you can get more free of charge by contacting Doughboy's Customer Service Department: Doughboy Recreational • 315 No. Sebastian St. • West Helena, AR 72390 or by calling toll free: (877) 228-4586.

**Important!** Above-ground pools are designed for swimming and wading only. **Do not Dive or Jump!** Misuse of your pool may result in crippling injury and/or other dangers to life and health. Do not use slides, diving boards, or any other platform or object which can be used for improper pool entry. Use only above-ground swimming pool ladder or entry system to enter or exit your pool. Never attempt to swim or reach behind ladders or any other pool entry system. It is the pool owner's responsibility to secure the pool against unauthorized, unpermitted and/or intentional entry. It is also the pool owner's responsibility to warn all pool users of the hazards of diving into shallow water; paralyzing injury may result. Juveniles must be supervised at all times by a responsible adult as directed by the U.S. Consumer Product Safety Commission. Always obey all safety rules. Remember, pool safety is everybody's responsibility.

**Change of Design:** Doughboy Recreational expressly reserves the right to change or modify the design and construction of any product in due course of our manufacturing procedures, without incurring any obligation to furnish or install such changes or modifications on products previously or subsequently sold.