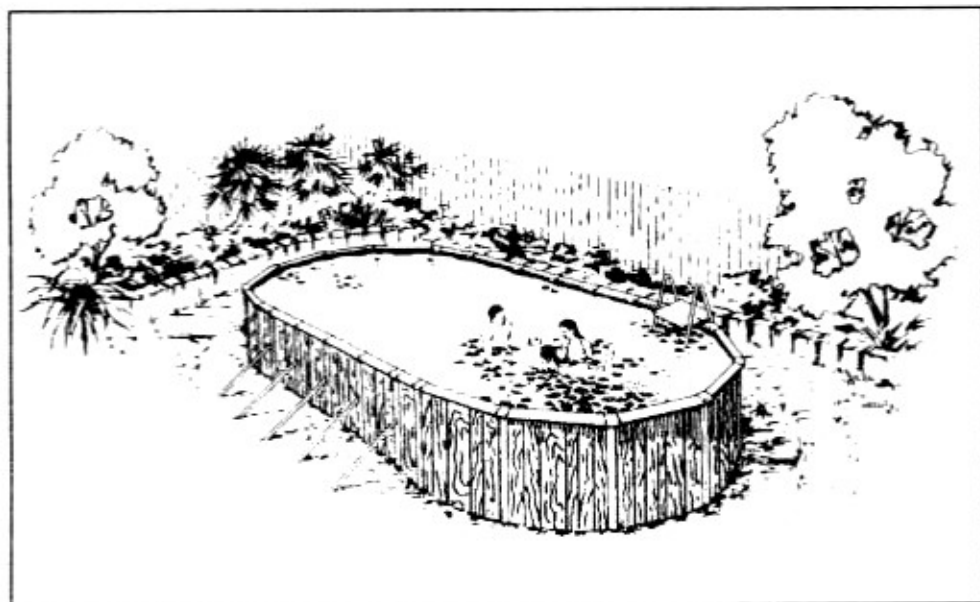




600 Series

48 Inch Tall Oval Pools

Parts List



LOMART PARTS LIST (OVAL)

ITEM	DESCRIPTION	PART NO.	10' x 15'	12' x 18'	12' x 24'	15' x 30'	18' x 33'
			QTY.	QTY.	QTY.	QTY.	QTY.
	STEEL PACK "A" CARTON	1-1015-901-511	1	—	—	—	—
	STEEL PACK "A" CARTON	1-1218-901-511	—	1	—	—	—
	STEEL PACK "A" CARTON	1-1224-901-511	—	—	1	—	—
	STEEL PACK "A" CARTON	1-1530-901-511	1	1	—	1	—
	STEEL PACK "A" CARTON	1-1833-901-511	—	—	—	—	1
1.	Top Rail	587-1425	—	8	8	10	12
	Top Rail	587-1469	10	—	—	—	—
2.	Stabilizer Rail (Large)	583-1011	—	9	8	9	11
	Stabilizer Rail (Large)	583-1059	8	—	—	—	—
3.	Stabilizer Rail (Small)	583-1012	—	9	8	9	11
	Stabilizer Rail (Small)	583-1060	8	—	—	—	—
4.	Bottom Connector	580-1344	8	10	10	12	14
5.	Vertical Top Cap	580-1907	8	10	10	12	14
5a	Vertical Cap	580-2085	4	4	8	10	10
6.	Top Connector	340-2242	12	14	18	22	24
7.	Vertical Skirt	340-2241	8	10	10	12	14
8.	Coping	545-1001	25	30	33	41	46
9.	Bottom Rail	589-1218	6	—	—	—	—
	Bottom Rail	589-1133	—	8	8	—	—
	Bottom Rail	589-1134	—	—	—	10	—
	Bottom Rail	589-1136	—	—	—	—	12
10.	Side Bottom Rail	589-1201	2	2	6	8	8
11.	Assembly/Installation Instructions	573-3131	1	1	1	1	1
12.	Warranty Card	—	1	1	1	1	1
13.	Product Registration Card	565-1121	1	1	1	1	1
14.	Pool Parts List	573-3133	1	1	1	1	1
15.	Book - "Sensible Way. . ."	573-2743	1	1	1	1	1
16.	Book - "Safety First"	573-2778	1	1	1	1	1
17.	Brochure - "Children Aren't Waterproof"	573-2338	1	1	1	1	1
18.	Brochure - "Pool and Spa. . ."	573-2393	1	1	1	1	1
19.	Book - "Read Me First"	573-3169	1	1	1	1	1
*20.	#10 x 3/8" Sheet Metal Screw	510-1000	104	122	154	188	206
*21.	#10 X 5/8" Hex Screw	330-1057	24	28	36	44	48
*22.	#10 X 1/2" Hex Screw	330-1127	20	24	28	34	38
23.	Buttress Skirt	340-2346	4	4	8	10	10
24.	Vertical Tab	580-1460	4	4	8	10	10
25.	Buttress Top Rail	587-1427	2	6	10	12	12
26.	Apex Bottom Rail	589-1135	—	4	4	4	4
	Apex Bottom Rail	589-1217	4	—	—	—	—
27.	Stabilizer Rail - Side	583-1064	2	2	6	8	8
	VERTICAL PACK	1-0800-904-506	1	—	—	—	—
	VERTICAL PACK	1-1200-904-506	—	1	1	—	—
	VERTICAL PACK	1-1500-904-506	—	—	—	1	—
	VERTICAL PACK	1-1800-904-506	—	—	—	—	1
28.	Vertical	580-2041	8	10	10	12	14
	VINYL LINER CARTON						
	Liner 10' x 15'	1-1015-___	1	—	—	—	—
**29.	Liner 12' x 18'	1-1218-___	—	1	—	—	—
	Liner 12' x 24'	1-1224-___	—	—	1	—	—
	Liner 15' x 30'	1-1530-___	—	—	—	1	—
	Liner 18' x 33'	1-1833-___	—	—	—	—	1

*Screws, nuts and washers available at your local hardware store.

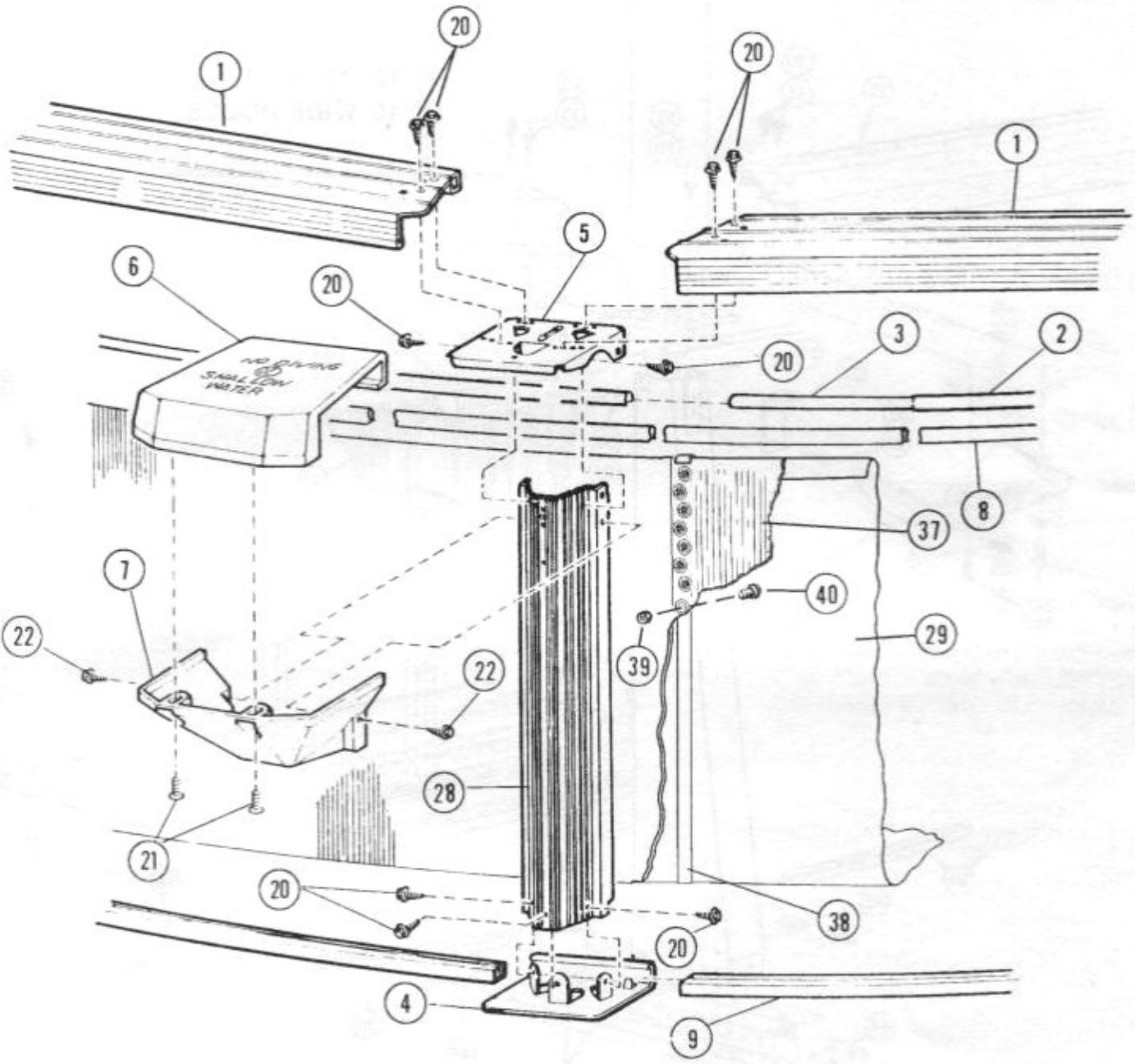
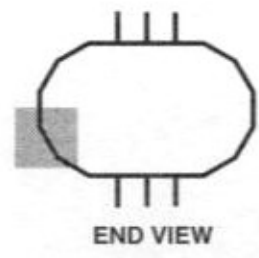
**Write the number of your liner in the spaces provided here and above. # _____.

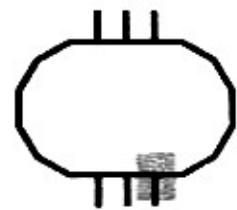
***For Additional Patch Kits, order part number 1-2002-006.

****Use only for pools with deep swimming areas.

LOMART PARTS LIST (OVAL)

			10' x 15'	12' x 18'	12' x 24'	15' x 30'	18' x 33'
ITEM	DESCRIPTION	PART NO.	QTY.	QTY.	QTY.	QTY.	QTY.
30.	Chlorine/Winterizing Instructions	573-2421	1	1	1	1	1
31.	Warranty Card	—	1	1	1	1	1
***32.	Repair Patch - Vinyl	564-1000	3	3	3	3	3
33.	Warning Decal	560-1041	3	3	3	3	3
34.	Decal, Shallow 3-1/2 Ft.	560-1043	1	1	1	1	1
35.	Book - "Read Me First"	573-3169	3	3	3	3	3
****36.	Deep Area Decal	560-1042	2	2	2	2	2
SIDEWALL CARTON							
37.	Breezy Point III Wall (10' x 15' x 48")	1-1015-906-031	1	—	—	—	—
	Breezy Point III Wall (12' x 18' x 48")	1-1218-906-031	—	1	—	—	—
	Breezy Point III Wall (12' x 24' x 48")	1-1224-906-031	—	—	1	—	—
	Breezy Point III Wall (15' x 30' x 48")	1-1530-906-031	—	—	—	1	—
	Breezy Point III Wall (18' x 33' x 48")	1-1833-906-031	—	—	—	—	1
38.	Wall Protective Strip	535-1442	1	1	1	1	1
*39.	1/4" x 20 Hex Nut	321-1029	23	23	23	23	23
*40.	1/4" - 20 x 1/2" Slotted Screw	330-1280	23	23	23	23	23
41.	Warning Sign	560-1055	1	1	1	1	1
42.	Book - "Read Me First"	573-3169	1	1	1	1	1
43.	Safety Video	573-2507	1	1	1	1	1
	SUPPORT BASE PACK 4 CARTON	1-8888-004	1	1	2	1	1
	SUPPORT BASE PACK 6 CARTON	1-8888-006	—	—	—	1	1
44.	Skid Support	580-1779	4	4	8	10	10
45.	Ground Support- Top	580-2071	4	4	8	10	10
46.	Ground Support - Bottom	580-2072	4	4	8	10	10
47.	Pressure Pad - Outside	580-2082	4	4	8	10	10
48.	Pressure Pad - Side Vertical	580-2083	4	4	8	10	10
*49.	Bottom Rail Locator	580-1792	4	4	8	10	10
*50.	Hex Washer Head Screw #12 x 3/4"	510-1035	24	24	48	60	60
*51.	Hex Head Bolt, 3/8-16 x 3-1/2"	330-1220	16	16	32	40	40
*52.	Hex Nut, 3/8-16	321-1069	16	16	32	40	40
*53.	Hex Head Screw, 1/4-20 x 1/2"	510-1018	16	16	32	40	40
*54.	Hex Nut, 1/4-20	511-1000	16	16	32	40	40
55.	Sheet Metal Screw, #10 x 3/8"	510-1000	24	24	48	60	60
	SUPPORT PACK 4 CARTON	1-1604-907	1	1	2	1	1
	SUPPORT PACK 6 CARTON	1-1606-907	—	—	—	1	1
56.	Side Vertical	580-2138	4	4	8	10	10





SIDE VIEW

