

The Single
Source Supplier

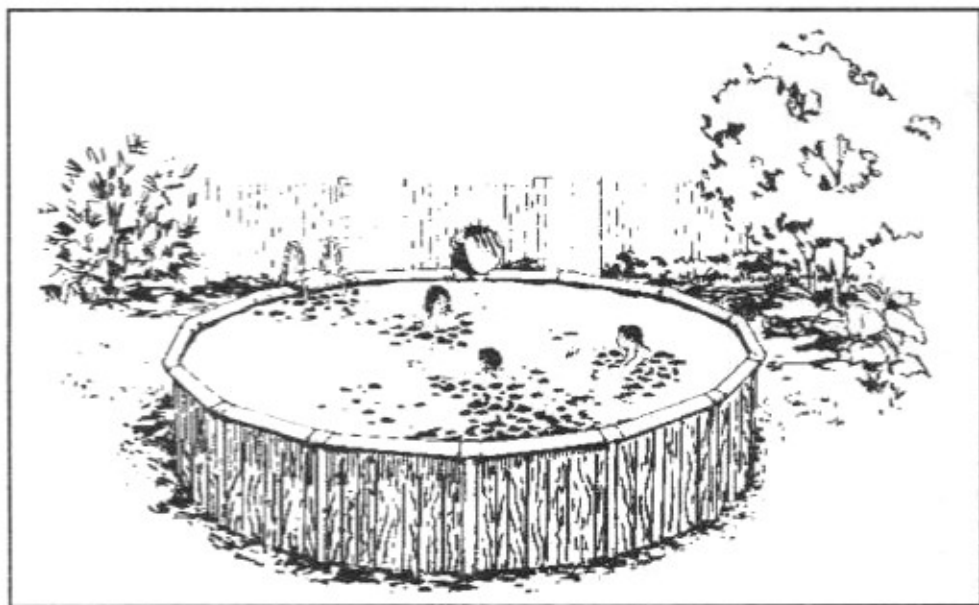
Lomart

A Division of Hoffinger Industries, Inc.

600 Series

48 Inch Tall Round Pools

Parts List



LOMART PARTS LIST (ROUND)

			12' x 48"	15' x 48"	18' x 48"	21' x 48"	24' x 48"	27' x 48"
ITEM	DESCRIPTION	PART NO.	QTY.	QTY.	QTY.	QTY.	QTY.	QTY.
	STEEL PACK "A" CARTON	1-1248-901-511	1	—	—	—	—	—
	STEEL PACK "A" CARTON	1-1548-901-511	—	1	—	—	—	—
	STEEL PACK "A" CARTON	1-1848-901-511	—	—	1	—	—	—
	STEEL PACK "A" CARTON	1-2148-901-511	—	—	—	1	—	—
	STEEL PACK "A" CARTON	1-2448-901-511	—	—	—	—	1	—
	STEEL PACK "A" CARTON	1-2748-901-511	—	—	—	—	—	1
1.	Top Rail	587-1425	10	12	14	—	—	—
	Top Rail	587-1426	—	—	—	15	17	19
2.	Stabilizer Rail (Large)	583-1011	6	8	9	—	—	—
	Stabilizer Rail	583-1004	—	—	—	10	11	12
3.	Stabilizer Rail (Small)	583-1012	6	8	9	—	—	—
	Stabilizer Rail	583-1005	—	—	—	10	11	12
4.	Bottom Connector	580-1344	10	12	14	15	17	19
5.	Vertical Top Cap	580-1907	10	12	14	15	17	19
6.	Top Connector	340-2242	10	12	14	15	17	19
7.	Vertical Skirt	340-2241	10	12	14	15	17	19
8.	Coping	545-1001	21	26	31	35	40	45
9.	Bottom Rail	589-1133	10	—	—	—	—	—
	Bottom Rail	589-1156	—	12	—	—	—	—
	Bottom Rail	589-1136	—	—	14	—	—	—
	Bottom Rail	589-1145	—	—	—	15	—	—
	Bottom Rail	589-1146	—	—	—	—	17	—
	Bottom Rail	589-1147	—	—	—	—	—	19
10.	Book- "Read Me First"	573-3169	1	1	1	1	1	1
11.	Assembly Installation Instruction	573-3132	1	1	1	1	1	1
12.	Warranty Card	—	1	1	1	1	1	1
13.	Product Registration Card	565-1121	1	1	1	1	1	1
14.	Pool Parts List	573-3137	1	1	1	1	1	1
15.	Book- "Sensible Way..."	573-2743	1	1	1	1	1	1
16.	Book- "Safety First"	573-2778	1	1	1	1	1	1
17.	Brochure- "Children Aren't Waterproof"	573-2338	1	1	1	1	1	1
18.	Brochure- "Pool and Spa Emergency"	573-2393	1	1	1	1	1	1
*19.	#10 X 3/8" Screw	510-1000	90	108	126	135	153	171
*20.	#10 X 5/8" Hex Screw	330-1057	20	24	28	30	34	38
*21.	#10 X 1/2" Hex Screw	330-1127	20	24	28	30	34	38
	VERTICAL PACK	1-1200-904-506	1	—	—	—	—	—
	VERTICAL PACK	1-1500-904-506	—	1	—	—	—	—
	VERTICAL PACK	1-1800-904-506	—	—	1	—	—	—
	VERTICAL PACK	1-2100-904-506	—	—	—	1	—	—
	VERTICAL PACK	1-2400-904-506	—	—	—	—	1	—
	VERTICAL PACK	1-2700-904-506	—	—	—	—	—	1
22.	Vertical	580-2041	10	12	14	15	17	19

LOMART PARTS LIST (ROUND)

			12' x 48"	15' x 48"	18' x 48"	21' x 48"	24' x 48"	27' x 48"
ITEM	DESCRIPTION	PART NO.	QTY.	QTY.	QTY.	QTY.	QTY.	QTY.
VINYL LINER CARTON								
**23.	Liner 12' Diameter	1-1248-___	1	—	—	—	—	—
	Liner 15' Diameter	1-1548-___	—	1	—	—	—	—
	Liner 18' Diameter	1-1848-___	—	—	1	—	—	—
	Liner 21' Diameter	1-2148-___	—	—	—	1	—	—
	Liner 24' Diameter	1-2448-___	—	—	—	—	1	—
	Liner 27' Diameter	1-2748-___	—	—	—	—	—	1
24.	Chlorine/Winterizing Instructions	573-2421	1	1	1	1	1	1
25.	Warranty Card	—	1	1	1	1	1	1
***26.	Repair Patch	564-1000	1	1	1	1	1	1
27.	Warning Decal	560-1041	3	3	3	3	3	3
28.	Decal — Shallow-3 1/2 Ft.	560-1043	3	3	3	3	3	3
29.	Book — "Read Me First"	573-3169	1	1	1	1	1	1
****30.	Deeper Area Decal	560-1042	2	2	2	2	2	2
SIDEWALL CARTON								
31.	Breezy Point II - (12' x 48")	1-1248-906-031	1	—	—	—	—	—
	Breezy Point II - (15' x 48")	1-8700-906-031	—	1	—	—	—	—
	Breezy Point II - (18' x 48")	1-1848-906-031	—	—	1	—	—	—
	Breezy Point II - (21' x 48")	1-2148-906-031	—	—	—	1	—	—
	Breezy Point II - (24' x 48")	1-2448-906-031	—	—	—	—	1	—
	Breezy Point II - (27' x 48")	1-2748-906-031	—	—	—	—	—	1
32.	Wall Protective Strip	535-1442	1	1	1	1	1	1
*33.	1/4" x 20 Hex Nut	321-1029	23	23	23	23	23	23
*34.	1/4" - 20 x 1/2" Screw	330-1280	23	23	23	23	23	23
35.	Warning Sign	560-1055	1	1	1	1	1	1
36.	Book - "Read Me First"	573-3169	1	1	1	1	1	1
37.	Safety Video	573-2507	1	1	1	1	1	1

*Screws, nuts and washers available at your local hardware store.

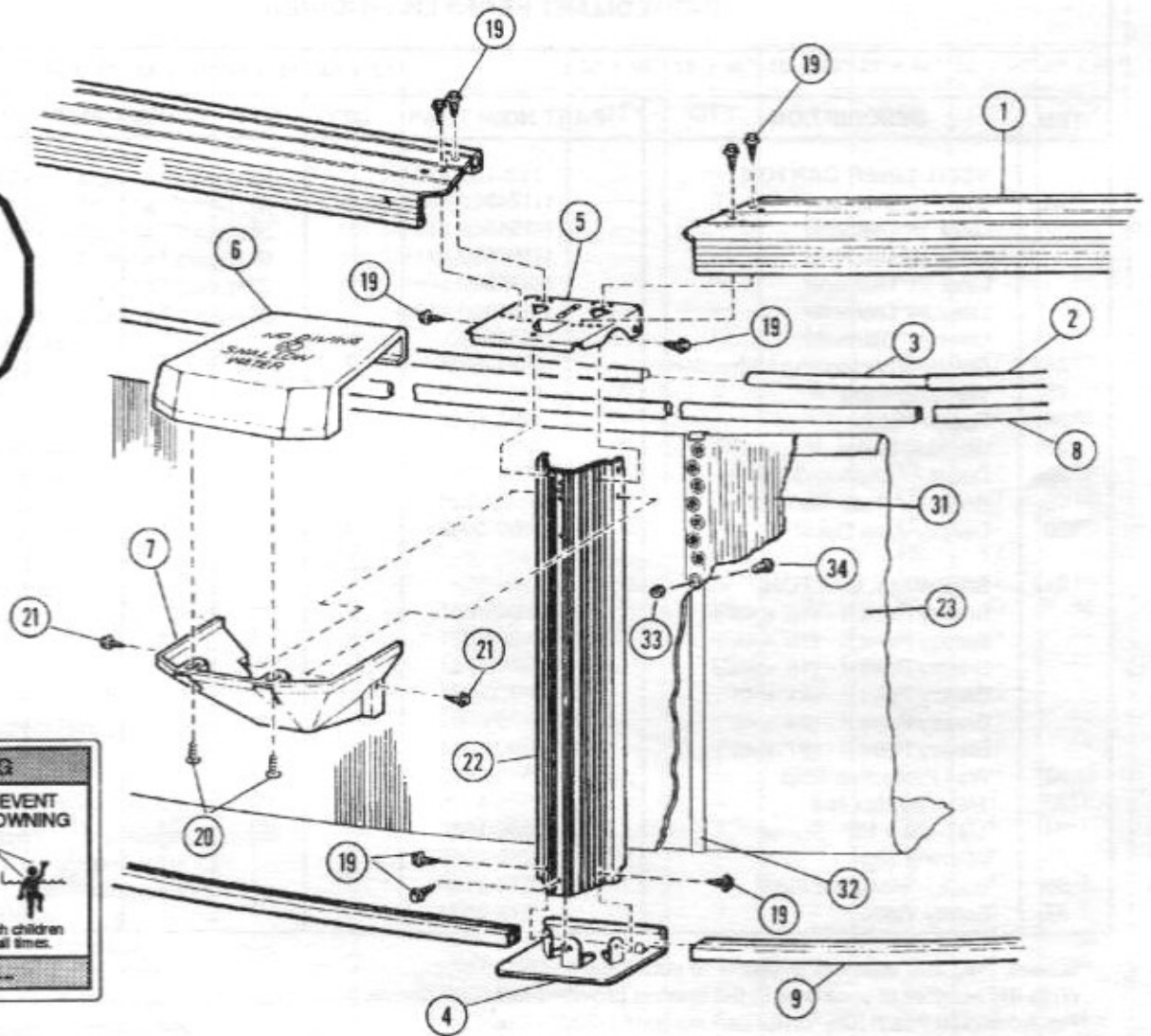
** Write the number of your liner in the spaces provided here and above. # _____

***For Additional Patch Kits, order part number 1-2002-006.

****Use only for pools with deep swimming areas.



END
VIEW



Important! Above-ground pools are designed for swimming and wading only. **Do not Dive or Jump!** Misuse of your pool may result in crippling injury and/or other dangers to life and health. Do not use slides, diving boards, or any other platform or object which can be used for improper pool entry. Use only an above-ground swimming pool ladder or entry system to enter or exit your pool. **Never attempt to swim or reach behind ladders or any other pool entry system.** It is the pool owner's responsibility to secure the pool against unauthorized, unsupervised or unintentional entry. It is also the pool owner's responsibility to warn all pool users of the hazards of diving into shallow water: paralyzing injury may result. Always obey all safety rules. Remember, pool safety is everybody's responsibility.

Safety decals and caution information provided with your pool have been endorsed by the U.S. Consumer Product Safety Commission. It is mandatory that the pool owner and installer follow the installation and use directions for all provided safety signs and decals. Juveniles must be supervised at all times by a responsible adult as directed by the USCPSC.

Change of Design: Lomart Industries expressly reserves the right to change or modify the design and construction of any product in due course of their manufacturing procedures, without incurring any obligation to furnish or install such changes or modifications on products previously or subsequently sold.



LOMART INDUSTRIES
315 N. Sebastian St. • West Helena, AR 72390
Visit our website at www.lomart.com